



Vehicle barriers



Terminals



Pedestrian gates



Turnstiles

Solutions for access control

Applications for pedestrian gates and turnstiles



Access for adults



Access for adults with children. Children under 8 years of age may use personal barriers only when accompanied by an adult.



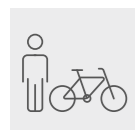
Access for passengers with luggage



Access for wheelchair users



Access for material transport



Access for people with bicycles

FlowMotion®, mDure®, VarioBoom®, Momentum® and MHTM™ are registered trademarks of Magnetic Autocontrol GmbH in Germany and other countries.

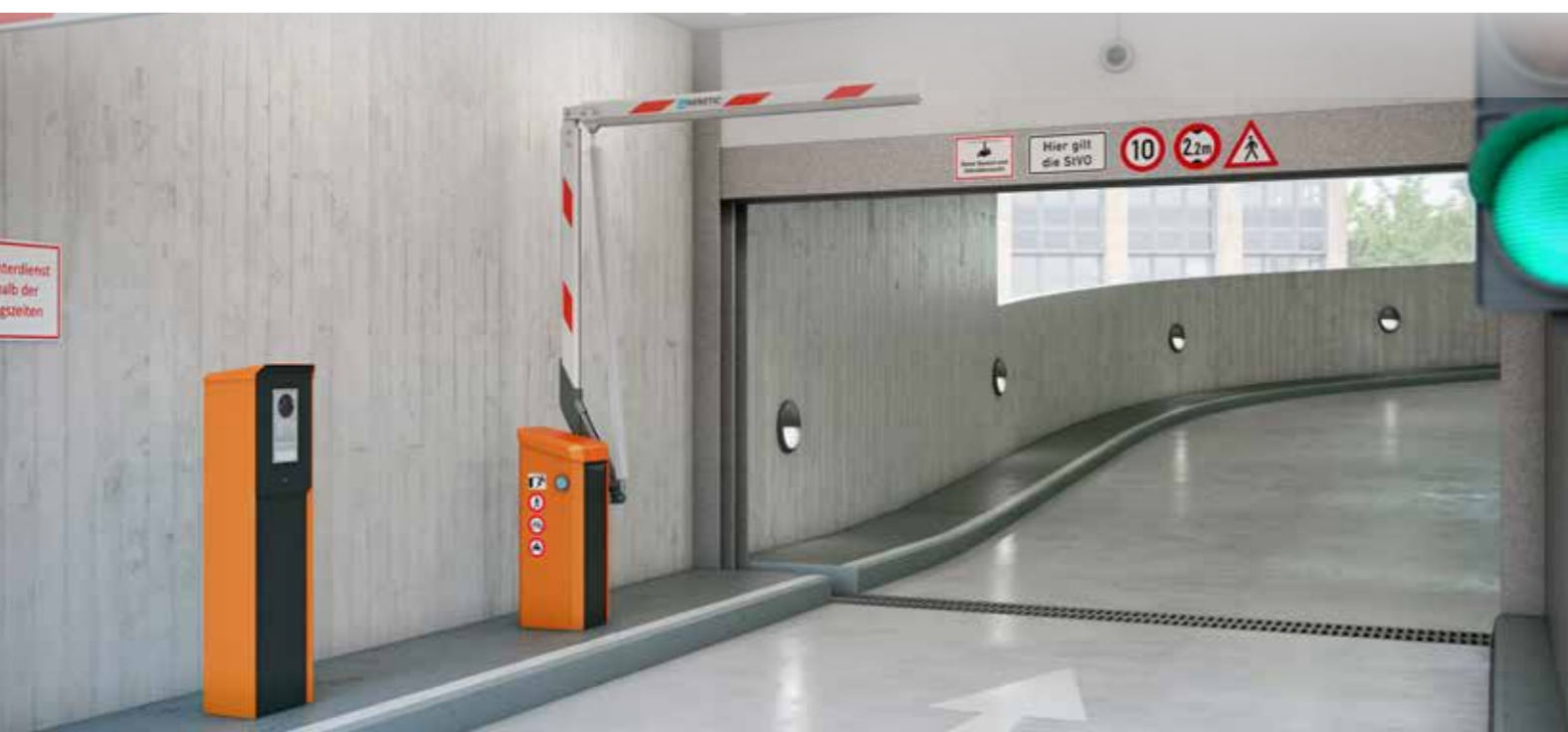
All information and illustrations are subject to (technical) changes and errors. The illustrations may only be similar to the actual products in some cases. Dimensions rounded to mm. General tolerances must still be taken into account.

Reproduction, duplication and distribution of the catalogue for any purposes other than preparing for your own purchasing decision are only permitted with prior consent from us. This also applies to the duplication and distribution of individual pages, descriptions or illustrations.

Vehicle barriers	Access barriers		10	Access barriers	
	Access and Access-L	12	Access XL2 and Access XXL		24
	Access Pro and Access Pro-L	16	Access Solar		28
	Access Pro-H	20			
	Parking barriers		32	Parking barriers	
	Parking Pro	32			
	Toll barriers		36	Toll barriers	
	Toll	36			
	Barriers: Options and accessories for the Access, Parking and Toll barriers		40	Barrier accessories	
	Barrier booms: Options and accessories for the Access, Parking and Toll barrier booms		48		
	Terminals		54	Terminals	
	Terminal-MS, -ML, -MH	56			
	Terminal-MXL, -MXXL	60			
Pedestrian barriers	FlowMotion® access control		64	FlowMotion® access control	
	mWing	68	mTwing		84
	mTripod	74	mPost		88
	mSwing	80	mGuide		92
	Perimeter protection		100	Perimeter protection	
	MPT single	102			
	MPT double	106			
	MPG	110			
	MPB	114			
Segment solutions	Segment solutions		118	Segment solutions	
Company	Vision		121	Company	
	Mission		122		
	Contacts		123		
	BIMObject®		124		

Vehicle barriers

MHTM™ MicroDrive



The whole world of vehicle barriers

Magnetic offers a comprehensive range of vehicle barriers, whose width, opening speed, functions and accessories can be optimally adapted to the desired application. A common characteristic of all models is their robust, service-friendly design, the economical MHTM™ drive technology and an exceptional service life of up to 10 million opening and closing cycles (wear parts excluded).



Innovative drive technology

The MHTM™ drive unit is maintenance-free, energy-efficient and quiet. The high torque guarantees the best possible operation even under extreme weather conditions.



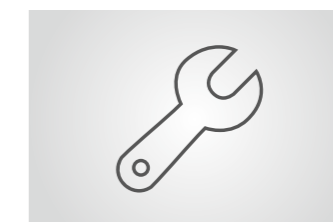
Legal security

All Magnetic barriers have a Declaration of Conformity in compliance with the Machinery Directive and a Declaration of Performance in line with the Construction Products Directive. Thus operators and those responsible for commissioning are always on the safe side in questions of liability.



Low operating costs

Thanks to their high energy efficiency, extremely long service lives, and simple maintenance, barriers from Magnetic are particularly cost-effective – an investment that will certainly pay off!



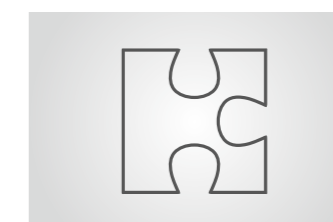
Easy access to components

Two simple steps: control systems and the drive unit are easily reached by removing the cover and front plate. This increases user-friendliness and accelerates commissioning and service.



Approved for use with movement of persons

Thanks to its low impact forces and safety settings, when the legally required safety equipment has been installed, Access is approved for use wherever the movement of persons cannot be ruled out for structural reasons.



Individual configuration

Various different barrier booms, a comprehensive range of configuration options and a large selection of options and accessories – the vehicle barriers from Magnetic can be individually adapted to the desired application and the special requirements at the installation location.

Barriers for various different applications



Access – access barriers

Barriers for a variety of applications, such as for vehicle access control on company premises and in underground car parks, with an award-winning design, high cost efficiency and access for pedestrians

Opening and closing speed

1.3 s (Access Pro) to 8 s (Access XXL)

Barrier width

max. 3.5 m (Access/Access Pro) to 10 m (Access XXL)

Barrier booms

VarioBoom® with lighting, an extension set or articulated mechanics

MicroBoom for large barrier widths and the attachment of skirts and climb-over prevention

[From page 10](#)



Parking – parking barriers

Barriers for controlling access to parking spaces and car parks with quick opening times, low operating costs and a high level of reliability

Opening and closing speed

1.3 s

Barrier width

max. 3.5 m

Barrier booms

VarioBoom® with lighting, an extension set or articulated mechanics

[From page 32](#)



Toll – toll barriers

Barriers for the quick and reliable collection of toll charges with extremely fast opening and closing speeds, optimal accessibility and breakaway options to ensure high operational readiness

Opening and closing speed

0.3 to 1.3 s

Barrier width

max. 1.5 to 3.0 m

Barrier booms

Soft boom with automatic swing-away flange

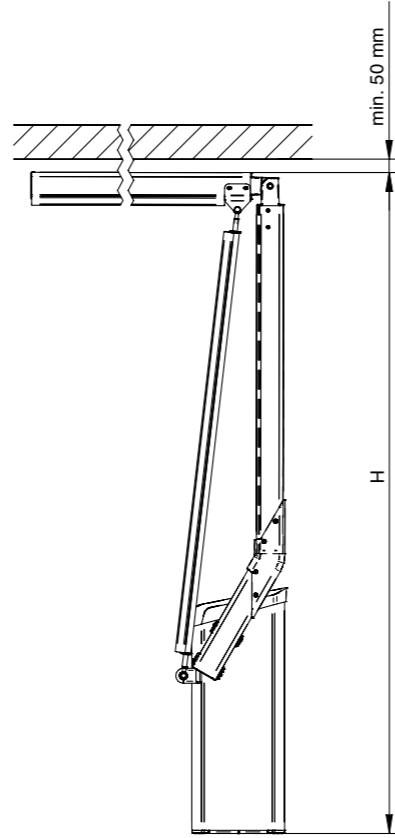
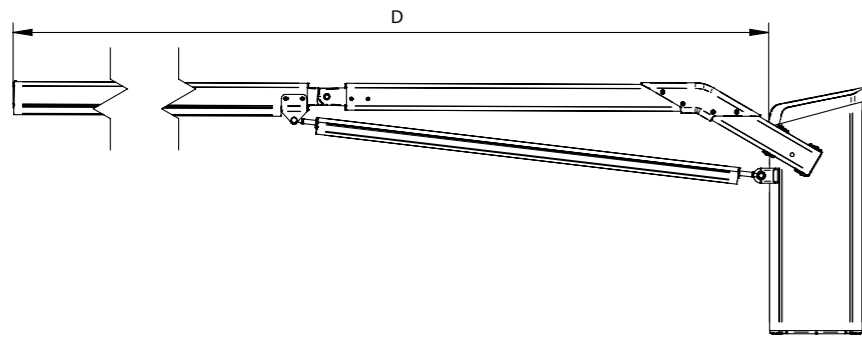
Round boom with swing-away flange

Rectangular boom with swing-away flange

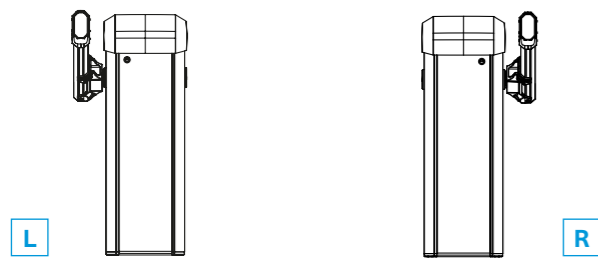
[From page 36](#)

Definitions and standard colours

Passage width and height with VarioBoom® articulated boom



Left and right barrier housings



All barriers from Magnetic are available as left **L** and right **R** versions. If one looks from the tip of the barrier boom towards the barrier housing, the boom is on the left-hand side with the left version and on the right-hand side with the right version.

We recommend that the boom is always installed behind the barrier housing in the direction of traffic movement so that if there is an accident only the boom is damaged and, if necessary, will need to be replaced. For barriers with a climb-over prevention grating, the boom should be located on the outside of the grounds to be protected – otherwise it would be possible to climb onto the boom profile and thus defeat the climb-over prevention.

Standard colours										
Colour	Colour field	Access	Access -L	Access Pro	Access Pro-L	Access Pro-H	Access XL2	Access XXL	Parking Pro	Toll
Orange (RAL 2000)		•	•	•	•	•	•	•	•	•
White aluminium (similar to RAL 9006)				•	•	•			•	
Grey aluminium (similar to RAL 9007)				•	•	•			•	

Special colours are also available on request, and can be selected from the four-digit RAL table of colours.



Orange (RAL 2000)



White aluminium (similar to RAL 9006)



Grey aluminium (similar to RAL 9006)

Access

Find the right barrier

Customised Access barriers






There are multiple possibilities for individually adapting the vehicle barriers to the requirements of the installation location: An important criterion is the opening and closing speed, while the available options and accessories can also be an important consideration when selecting a certain model. However, the barrier boom is often the decisive factor for many customers because it is the boom that makes an access barrier more than simply a housing with a motor. The Magnetic range includes two fundamentally different types of barrier boom:

VarioBoom®

The VarioBoom® is connected to the barrier housing via an articulated arm. The unusual geometry enables a significantly more discrete housing with the same barrier height.

MicroBoom

The MicroBoom is directly connected to the flange on the barrier housing. The matching barrier models are taller as a result but they can also be used for larger barrier widths and can accommodate barrier booms with skirts.

Barrier housings								
	Access	Access-L	Access Pro	Access Pro-L	Access Pro-H	Access XL2	Access XXL	
	From page 12	From page 12	From page 16	From page 16	From page 20	From page 24	From page 24	
VarioBoom® – barrier boom								
VarioBoom® (standard lengths)	2.5 m 3.0 m 3.5 m	2.5 m 3.0 m 3.5 m 4.5 m 5.0 m	2.5 m 3.0 m 3.5 m	2.5 m 3.0 m 3.5 m 4.5 m 5.0 m 6.0 m	–	–	–	
> Customer-specific shortening of the standard lengths is possible for a service charge								
VarioBoom® with extension set	up to 3.5 m	up to 5.0 m	up to 3.5 m	up to 5.0 m	–	–	–	
> Offers space for information and advertising								
VarioBoom® with lighting	up to 3.5 m	up to 5.0 m	up to 3.5 m	up to 6.0 m	–	–	–	
> Energy-efficient light strips								
> Red LEDs: closed, red flashing LEDs: in motion, green LEDs: open								
VarioBoom® with articulated boom	up to 3.5 m	up to 4.5 m	up to 3.5 m	up to 4.5 m	–	–	–	
> For low ceiling heights								
MicroBoom – barrier boom								
MicroBoom/MicroBoom XXL	–	–	–	–	3.5 m 4.5 m 5.0 m 6.0 m	6.0 m 7.0 m 8.5 m	6.0 m 7.0 m 8.5 m 9.0 m 10.0 m	
> For large barrier widths								
MicroBoom with skirt	–	–	–	–	up to 5.0 m ¹ up to 5.5 m ²	up to 8.5 m	up to 10.0 m	
> Prevents crawling under the barrier								
MicroBoom with skirt and climb-over prevention	–	–	–	–	up to 4.3 m ¹ up to 4.7 m ²	up to 6.0 m	up to 6.0 m	
> Prevents crawling under and climbing over the barrier								
> Height 1.30 m								
MicroBoom with skirt and high climb-over prevention	–	–	–	–	up to 4.0 m ¹ up to 4.5 m ²	up to 6.0 m	up to 6.0 m	
> Prevents crawling under and climbing over the barrier								
> Height 1.80 m								
Speed								
Opening time (in sec.)	2.2 s	4.0 s	1.3/1.8/2.5 s	4.0/6.0/8.0 s	4.0/6.0/8.0 s	6.0/8.0/10.0 s	8.0/10.0/12.0 s	

¹ with support posts

² with hinged supports

Access and Access-L

Access barrier



- > High level of functionality for numerous applications
- > Very low operating costs thanks to efficient and long-lived MHTM™ drive
- > Ease-of-use and optimum accessibility thanks to well thought-out design
- > Legal security with Declarations of Conformity and Performance
- > Price-winning design: German Design Award 2014 and Red Dot Design Award 2012
- > Designed for 10 million opening and closing cycles

Technical data	Access	Access-L
Blocking width	Max. 3.5 m	Max. 5.0 m
Opening/closing time	2.2 s	4.0 s
Power consumption	Max. 25 W	Max. 30 W
Drive technology	MHTM™	MHTM™
Voltage	100–240 V AC, 50–60 Hz	100–240 V AC, 50–60 Hz
Duty cycle	100 %	100 %
Housing dimensions (W x D x H)	315 x 360 x 915 mm	315 x 360 x 915 mm
Enclosure rating	IP54	IP54
Temperature range	-30 to +55 °C	-30 to +55 °C
Weight	40 kg	40 kg

Features	
Standard colour	RAL 2000
VarioBoom® barrier boom	Standard
Control system	MGC
Integrated 2-channel detector for induction loops	Standard
Modular expansion of control system	Radio receiver and other detector modules
Variable I/O assignment	-
No. of digital inputs	8
No. of relays/digital outputs	6/4
Input with test for safety light barrier/Laser scanner	1
Selectable closing speed	3 levels
Selectable opening speed	-

Standard colour

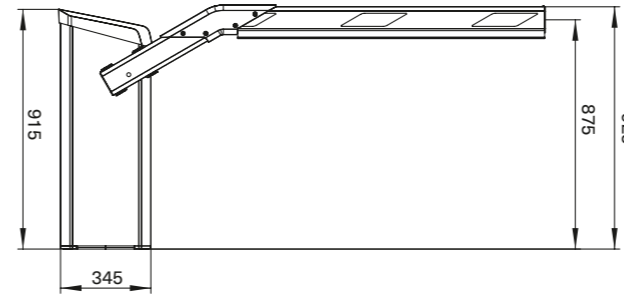


Orange (RAL 2000)

Special colours are also available on request and can be selected from the table of four-digit RAL colours.

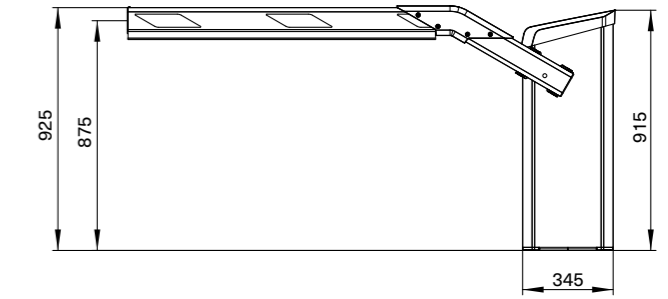
Dimensional drawings

Access/Access-L – left variant, left view



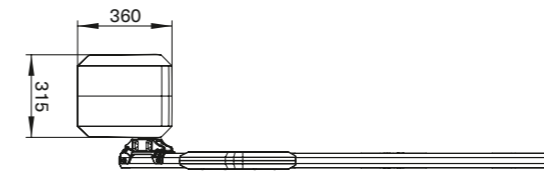
L

Access/Access-L – right variant, right view



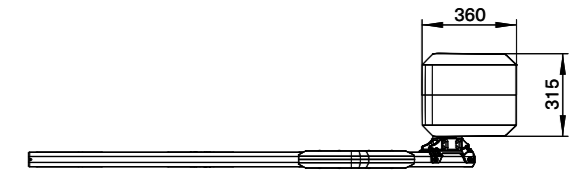
R

Top view



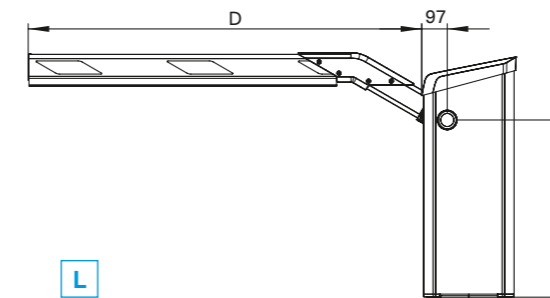
L

Top view



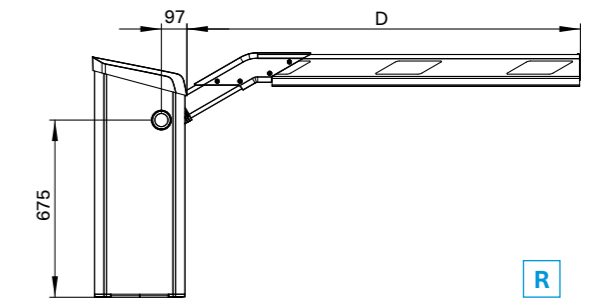
R

Right view



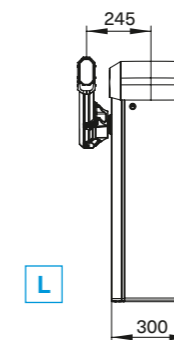
L

Left view



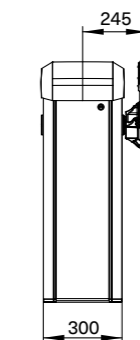
R

Front view



L

Front view



R

All barriers from Magnetic are available as left **L** and right **R** versions. If one looks at the barrier housing down the boom from its tip, the boom is on the left in the L variant and on the right with the R variant.

Access and Access-L

Access barriers



Products in basic configuration

Article description	Article number	Article number
Barrier Access	right version	left version
Access, orange, blocking width max. 3.5 m	ACCESS-RA00000	ACCESS-LA00000
Barrier Access-L	right version	left version
Access-L, orange, blocking width max. 5.0 m	ACCESS-L-RA00000	ACCESS-L-LA00000

The barriers Access and Access-L will in the basic configuration be delivered with controller MGC with 2-channel loop detector, flange (FLVB01), rear boom part (SBH01) as well as u-shaped rails for quick and easy installation.

Special colours for the barrier housing

Article number	Product description
SL01	Barrier housing and top cover in the same colour, doors in standard colour (black grey, similar RAL 7021) ²
SL02	Barrier housing, top cover and doors in same colour ²
SL03	Barrier housing and top cover in the same colour, doors in other selectable colour ²
SL04	Barrier housing, top cover and doors in different colours ²

Barrier booms

Article number	Article description
----------------	---------------------

Barrier booms for Access

SBV-N025	VarioBoom® front, blocking width 2.5 m ³
SBV-N030	VarioBoom® front, blocking width 3.0 m ³
SBV-N035	VarioBoom® front, blocking width 3.5 m ³
EP01	Extra charge for shortening of barrier boom
KBS11	Articulated boom length D = max. 3.5 m, individual height H = max. 2.5 m ⁴
KBB01	Kit set for articulated boom D = max. 3.5 m, H = max. 2.5 m ⁴
KBKS	Wiring set for articulated boom, needed for electrical components in the barrier boom

Barrier booms for Access-L

SBV-N025	VarioBoom® front, blocking width 2.5 m ³
SBV-N030	VarioBoom® front, blocking width 3.0 m ³
SBV-N035	VarioBoom® front, blocking width 3.5 m ³
SBV-N045	VarioBoom® front, blocking width 4.5 m ³
SBV-N050	VarioBoom® front, blocking width 5.0 m ³
EP01	Extra charge for shortening of barrier boom
KBS11	Articulated boom length D = max. 3.5 m, individual height H = max. 2.5 m ⁴
KBS15	Articulated Boom length D = max. 4.5 m, individual height H = max. 3.5 m ⁴
KBB01	Kit set for articulated boom D = max. 3.5 m, H = max. 2.5 m ⁴
KBB02	Kit set for articulated boom D = max. 4.5 m, H = max. 3.5 m ⁴

Spare parts

A comprehensive digital list of spare parts for Access and Access-L is available. If necessary, please request this via e-mail to cs@ac-magnetic.com

¹ Support post and pendulum support required for blocking width > 3.5 m.
² The powder coating with special colours will be provided with coarse structure in a silk glossy powder coating. Colour shades can be selected from the four digit RAL code range. The desired RAL colour has to be specified on the purchase order.
³ Straight boom section (next to connector), incl. edge protection..
⁴ Barrier boom has to be ordered additionally. Please indicate passage width D and height H on your purchase order.

Options and accessories for barriers

Sensors

Induction loops	•
Photoelectric safety switches	•
Laser scanner	•

Operation

Radio remote control	•
Control console	•
Switches	•

Connectivity

Plug-in module	•
GSM module	•

Signalling

Flashlights and flashing lights for barriers	•
Signal generator, mast and accessories	•

Other accessories

Battery backup	•
Installation accessories	•
Built-in components	•
Service module and software	•

Order information for options and accessories from p. 40.

Options and accessories for barrier booms

Boom illumination and individualisation

Boom illumination with individual red LED lights	•
Boom illumination with red/green LED strips	•
Expansion sets for VarioBoom®	•

Skirt

Standard skirt	
Climb-over prevention skirt	

Supports for long barrier booms

Support post	•
Pendulum support	•

Other accessories

Electromechanical boom locks	•
Boom contact	•
Flange with break-away option	

Order information for options and accessories for barrier booms from p. 48.

Access Pro and Access Pro-L

Access barriers

- > Opening and closing time of up to 1.3 s
- > Barrier width of up to 3.5 m (Access Pro) or up to 6.0 m (Access Pro-L)
- > Modular expandable control system with adjustable speeds
- > Legal security thanks to conformity and performance declarations
- > Approved for use with passing pedestrians (with 2.5 s closing times)
- > Designed for 10 million opening and closing cycles



Technical data	Access Pro	Access Pro-L
Blocking width	Max. 3.5 m	Max. 6.0 m
Opening/closing time	1.3 s	4.0 s
Power consumption	Max. 95 W	Max. 25 W
Drive technology	MHTM™	MHTM™
Voltage	100–240 V AC, 50–60 Hz	100–240 V AC, 50–60 Hz
Duty cycle	100 %	100 %
Housing dimensions (W x D x H)	315 x 360 x 915 mm	315 x 360 x 915 mm
Enclosure rating	IP54	IP54
Temperature range	-30 to +55 °C	-30 to +55 °C
Weight	40 kg	40 kg

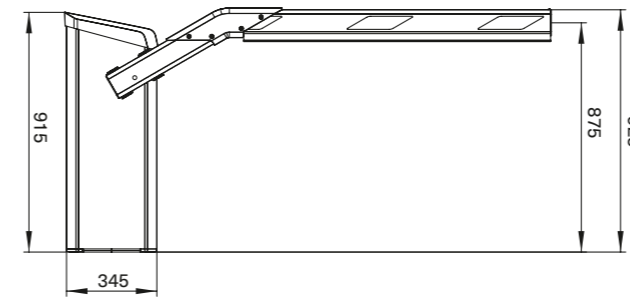
Features	
Standard colours	RAL 2000, 9006, 9007
VarioBoom® barrier boom	Standard
Control system	MGC Pro
Integrated 2-channel detector for induction loops	Standard
Modular expansion of control system	Freely expandable
Variable I/O assignment	Standard
No. of digital inputs	8
No. of relays/digital outputs	6/4
Input with test for safety light barrier/Laser scanner	1
Selectable closing speed	3 levels
Selectable opening speed	3 levels

Standard colours		
Orange (RAL 2000)	White aluminium (similar to RAL 9006)	Grey aluminium (similar to RAL 9007)

Special colours are also available on request and can be selected from the table of four-digit RAL colours.

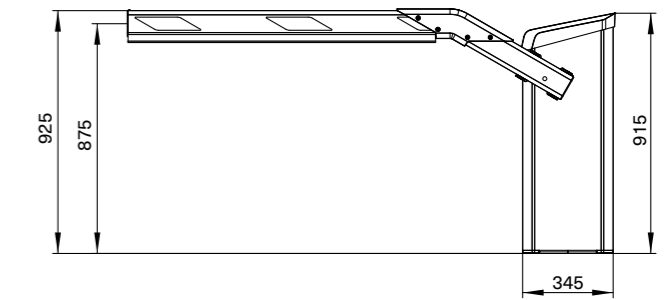
Dimensional drawings

Access Pro/Access Pro-L – left variant, left view



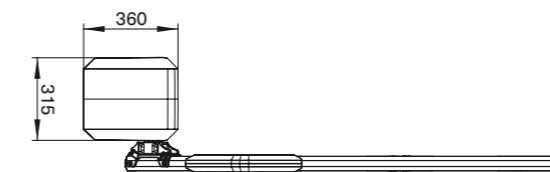
L

Access Pro/Access Pro-L – right variant, right view



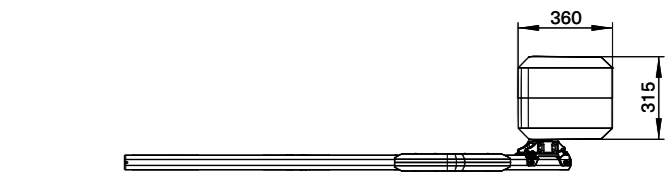
R

Top view



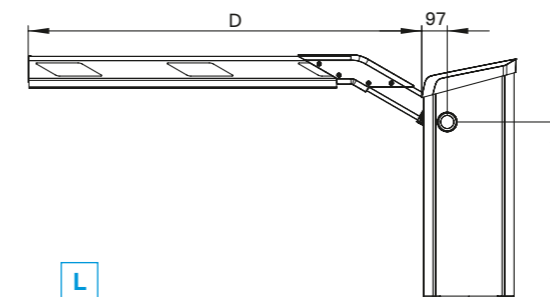
L

Top view



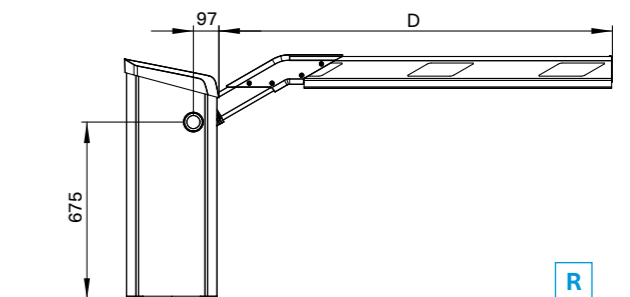
R

Right view



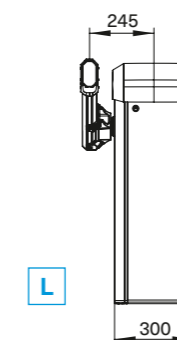
L

Left view



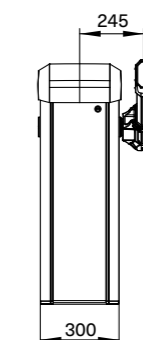
R

Front view



L

Front view



R

All barriers from Magnetic are available as left **L** and right **R** versions. If one looks at the barrier housing down the boom from its tip, the boom is on the left in the L variant and on the right with the R variant.

Access Pro and Access Pro-L

Access barriers



Products in basic configuration

Product description	Article number	Article number
Barrier Access Pro	right version	left version
Access Pro, orange, blocking width max. 3.5 m	ACCESS PRO-RA00000	ACCESS PRO-LA00000
Access Pro, Grey aluminium, blocking width max. 3.5 m	ACCESS PRO-RA00010	ACCESS PRO-LA00010
Access Pro, white aluminium, blocking width max. 3.5 m	ACCESS PRO-RA00020	ACCESS PRO-LA00020
Barrier Access Pro-L	right version	left version
Access Pro-L, orange, blocking width max. 6.0 m ¹	ACCESS PRO-L-RA00000	ACCESS PRO-L-LA00000
Access Pro-L, Grey aluminium, blocking width max. 6.0 m ¹	ACCESS PRO-L-RA00010	ACCESS PRO-L-LA00010
Access Pro-L, white aluminium, blocking width max. 6.0 m ¹	ACCESS PRO-L-RA00020	ACCESS PRO-L-LA00020

The barriers Access Pro and Access Pro-L will in the basic configuration be delivered with controller MGC Pro with 2-channel loop detector, flange (FLVB01), rear boom part (SBH01) as well as u-shaped rails for quick and easy installation.

Special colours for the barrier housing

Article number	Product description
SL01	Barrier housing and top cover in the same colour, doors in standard colour (black grey, similar RAL 7021) ²
SL02	Barrier housing, top cover and doors in same colour ²
SL03	Barrier housing and top cover in the same colour, doors in other selectable colour ²
SL04	Barrier housing, top cover and doors in different colours ²

Barrier booms	
Article number	Product description
Barrier booms for Access Pro	
SBV-N025	VarioBoom [®] front, blocking width 2.5 m ³
SBV-N030	VarioBoom [®] front, blocking width 3.0 m ³
SBV-N035	VarioBoom [®] front, blocking width 3.5 m ³
EP01	Extra charge for shortening of barrier boom
KBS11	Articulated boom length D = max. 3.5 m, individual height H = max. 2.5 m ⁴
KBB01	Kit set for articulated boom, D = max. 3.5 m, H = max. 2.5 m ⁴

Barrier booms for Access Pro-L	
Article number	Product description
SBV-N025	VarioBoom [®] front, blocking width 2.5 m ³
SBV-N030	VarioBoom [®] front, blocking width 3.0 m ³
SBV-N035	VarioBoom [®] front, blocking width 3.5 m ³
SBV-N045	VarioBoom [®] front, blocking width 4,5 m ³
SBV-N050	VarioBoom [®] front, lane width 5.0 m ³
SBV-N060	VarioBoom [®] front, blocking width 6.0 m ³
EP01	Extra charge for shortening of barrier boom
KBS11	Articulated boom length D = max. 3.5 m, individual height H = max. 2.5 m ⁴
KBS15	Articulated boom length D = max. 4.5 m, individual height H = max. 3.5 m ⁴
KBB01	Kit set for articulated boom, D = max. 3.5 m, H = max. 2.5 m ⁴
KBB02	Kit set for articulated boom, D = max. 4.5 m, H = max. 3.5 m ⁴

Spare parts

A comprehensive digital list of spare parts for Access Pro and Access Pro-L is available. If necessary, please request this via e-mail to cs@ac-magnetic.com

¹ Support post and pendulum support required for blocking width > 3.5 m.

² The powder coating with special colours will be provided with coarse structure in a silk glossy powder coating. Colour shades can be selected from the four digit RAL code range. The desired RAL colour has to be specified on the purchase order.

³ Straight boom section (next to connector), incl. edge protection.

⁴ Barrier boom has to be ordered additionally. Please indicate passage width D and height H on your purchase order.

⁵ Only available up to a blocking width of 3.5 m.

Options and accessories for barriers	
Sensors	
Induction loops	•
Photoelectric safety switches	•
Laser scanner	•
Operation	
Radio remote control	•
Control console	•
Key switches	•
Connectivity	
Plug-in module	•
GSM module	•
Signalling	
Flashlights and flashing lights for barriers	•
Signal generator, mast and accessories	•
Other accessories	
Battery backup	•
Installation accessories	•
Built-in components	•
Service module and software	•
Order information for options and accessories from p. 40.	

Options and accessories for barrier booms	
Boom illumination and individualisation	
Boom illumination with individual red LED lights	•
Boom illumination with red/green LED strips	•
Expansion sets for VarioBoom [®]	•
Skirt	
Standard skirt	
Climb-over prevention skirt	
Supports for long barrier booms	
Support post	•
Pendulum support	•
Other accessories	
Electromechanical boom locks	•
Boom contact	•
Flange with break-away option	
Order information for options and accessories for barrier booms from p. 48.	

Access Pro-H

Access barriers

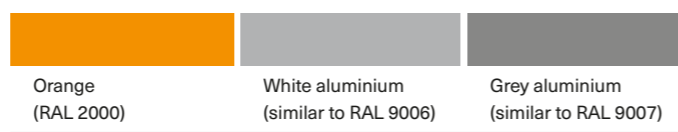
- > High security with optional boom skirts
- > Very low operating costs thanks to efficient and long-lived MHTM™ drive
- > Ease-of-use and optimum accessibility thanks to well thought-out design
- > Legal security with Declarations of Conformity and Performance
- > Price-winning design: German Design Award 2014 and Red Dot Design Award 2012
- > Designed for 10 million opening and closing cycles



Technical data	Access Pro-H
Blocking width	Max. 6.0 m
Opening/closing time	4.0 s
Power consumption	Max. 25 W
Drive technology	MHTM™
Voltage	100–240 V AC, 50–60 Hz
Duty cycle	100 %
Housing dimensions (W x D x H)	315 x 360 x 1115 mm
Enclosure rating	IP54
Temperature range	–30 to +55 °C
Weight	44 kg

Features	Access Pro-H
Standard colours	RAL 2000, 9006, 9007
VarioBoom® barrier boom	MicroBoom
Control system	MGC Pro
Integrated 2-channel detector for induction loops	Standard
Modular expansion of control system	Standard
Variable I/O assignment	Standard
No. of digital inputs	8
No. of relays/digital outputs	6/4
Input with test for safety light barrier/Laser scanner	Standard
Selectable closing speed	3 levels
Selectable opening speed	3 levels

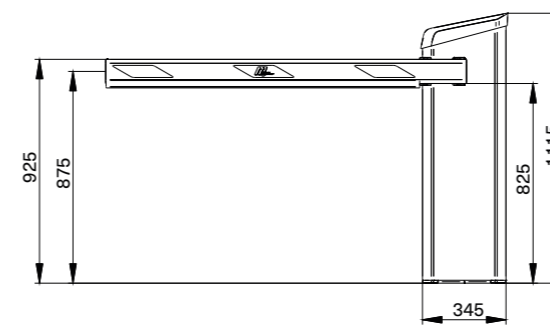
Standard colours



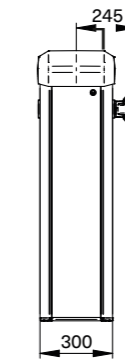
Special colours are also available on request and can be selected from the table of four-digit RAL colours.

Dimensional drawings

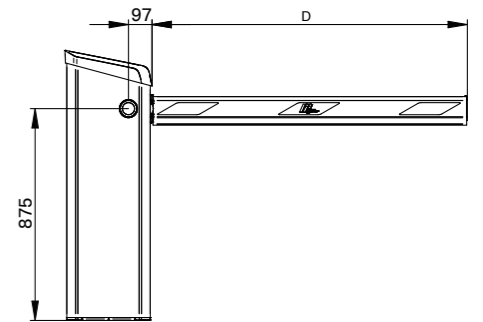
Access Pro-H with MicroBoom – right view



Front view



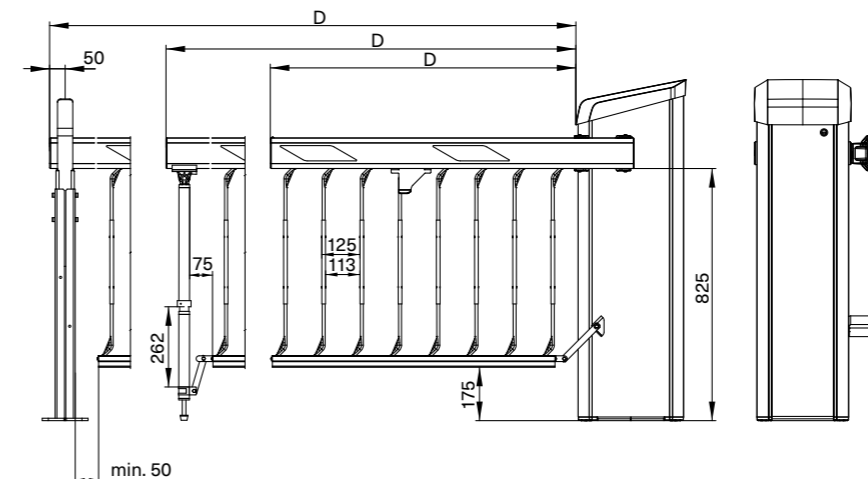
Left view



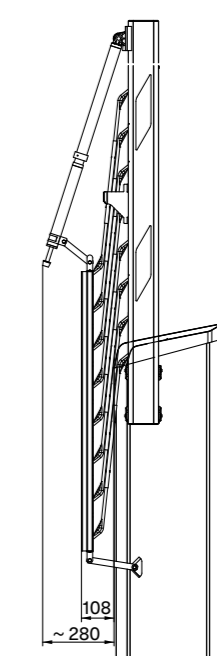
Top view



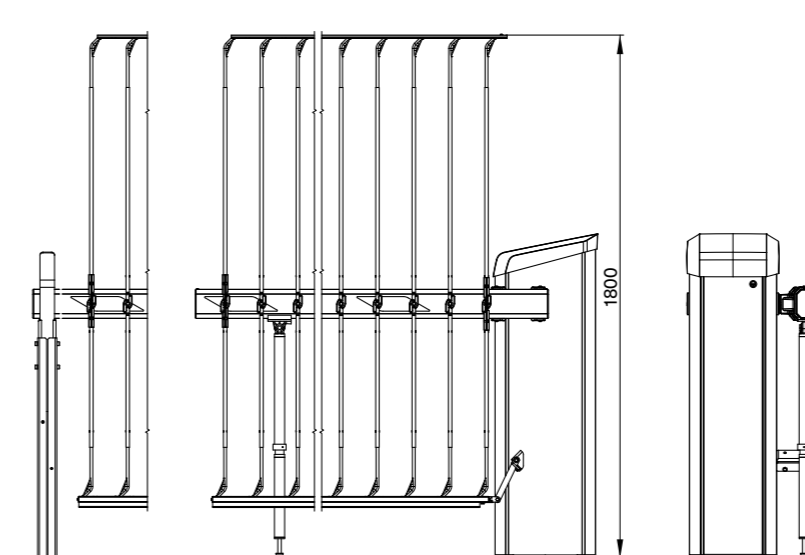
Access Pro-H with standard boom skirt



Standard skirt with barrier open



Access Pro-H with boom skirt with 1.80 m climb-over prevention

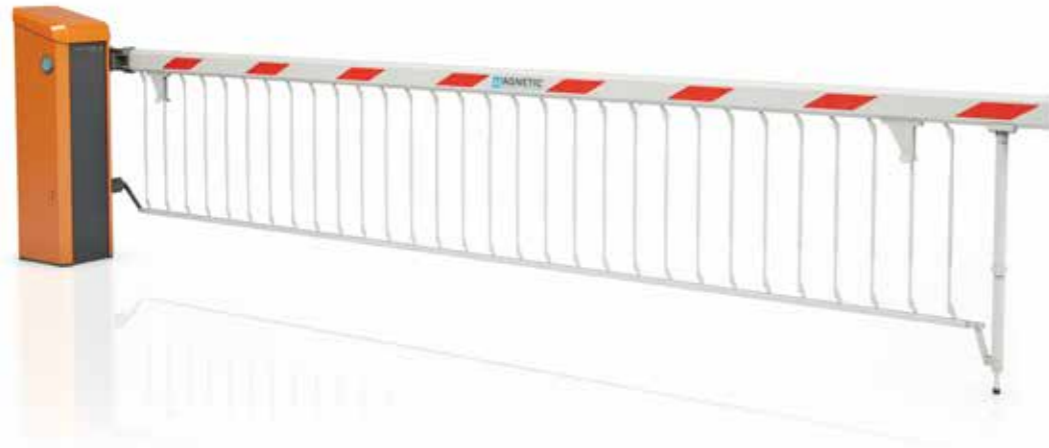


All barriers from Magnetic are available as left and right versions. If one looks at the barrier housing down the boom from its tip, the boom is on the left in the L variant and on the right with the R variant.

Complete dimensional drawings are available on request.

Access Pro-H

Access barriers



Products in basic configuration

Product description	Article number	Article number
Barrier Access Pro-H	right version	left version
Access Pro-H, orange, blocking width max. 6.0 m ¹	ACCESS PRO-H-RA00000	ACCESS PRO-H-LA00000
Access Pro-H, Grey aluminium, blocking width max. 6.0 m ¹	ACCESS PRO-H-RA00010	ACCESS PRO-H-LA00010
Access Pro-H, white aluminium, blocking width max. 6.0 m ¹	ACCESS PRO-H-RA00020	ACCESS PRO-H-LA00020

The barriers Access Pro-H will in the basic configuration be delivered with controller MGC Pro with 2-channel loop detector, flange (FLVB01) as well as u-shaped rails for quick and easy installation.

Special colours for the barrier housing

Article number	Product description
SL01	Barrier housing and top cover in the same colour, doors in standard colour (black grey, similar RAL 7021) ²
SL02	Barrier housing, top cover and doors in same colour ²
SL03	Barrier housing and top cover in the same colour, doors in other selectable colour ²
SL04	Barrier housing, top cover and doors in different colours ²

Barrier booms	
Article number	Product description
MicroBoom-N035	MicroBoom, blocking width 3.5 m ³
MicroBoom-N045	MicroBoom, blocking width 4.5 m ³
MicroBoom-N050	MicroBoom, blocking width 5.0 m ³
MicroBoom-N060	MicroBoom, blocking width 6.0 m ³
EP01	Extra charge for shortening of barrier boom

Spare parts

A comprehensive digital list of spare parts for Access Pro-H is available. If necessary, please request this via e-mail to cs@ac-magnetic.com

- ¹ Support post and pendulum support required for blocking width > 3.5 m.
- ² The powder coating with special colours will be provided with coarse structure in a silk glossy powder coating. Colour shades can be selected from the four digit RAL code range. The desired RAL colour has to be specified on the purchase order.
- ³ Barrier boom for direct mounting to flange, incl. edge protection.

Options and accessories for barriers	
Sensors	
Induction loops	•
Photoelectric safety switches	•
Laser scanner	•
Operation	
Radio remote control	•
Control console	•
Key switches	•
Connectivity	
Plug-in module	•
GSM module	•
Signalling	
Flashlights and flashing lights for barriers	•
Signal generator, mast and accessories	•
Other accessories	
Battery backup	•
Installation accessories	•
Built-in components	•
Service module and software	•

Order information for options and accessories from p. 36.

Options and accessories for barrier booms	
Boom illumination and individualisation	
Boom illumination with individual red LED lights	•
Boom illumination with red/green LED strips	•
Expansion sets for VarioBoom®	•
Skirt	
Standard skirt	•
Climb-over prevention skirt	•
Supports for long barrier booms	
Support post	•
Pendulum support	•
Other accessories	
Electromechanical boom locks	•
Boom contact	•
Flange with break-away option	•

Order information for options and accessories for barrier booms from p. 44.

Access XL2 and Access XXL

Access barriers



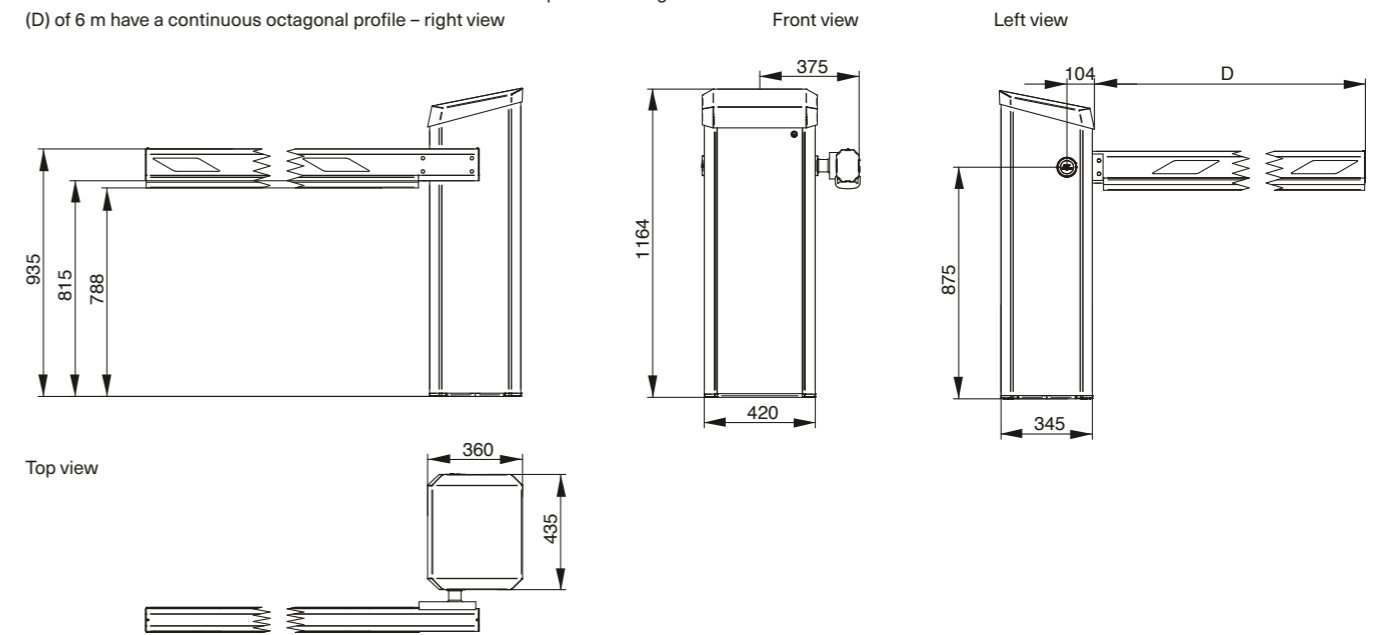
- > Large barrier width of up to 10.0 m
- > High security with optional barrier boom skirt
- > Very low operating costs thanks to efficient and long-lived MHTM™ drive
- > Ease-of-use and optimum accessibility thanks to well thought-out design
- > Legal security with Declarations of Conformity and Performance
- > Designed for 2 million opening and closing cycles

Technical data	Access XL 2	Access XXL
Blocking width	Max. 8.5 m	Max. 10.0 m
Opening/closing time	6.0 s	8.0 s
Power consumption	Max. 17 W	Max. 30 W
Drive technology	MHTM™	MHTM™
Voltage	100–240 V AC, 50–60 Hz	100–240 V AC, 50–60 Hz
Duty cycle	100 %	100 %
Housing dimensions (W x D x H)	435 x 360 x 1164 mm	435 x 360 x 1164 mm
Enclosure rating	IP54	IP54
Temperature range	-30 to +55 °C	-30 to +55 °C
Weight	105 kg	112 kg

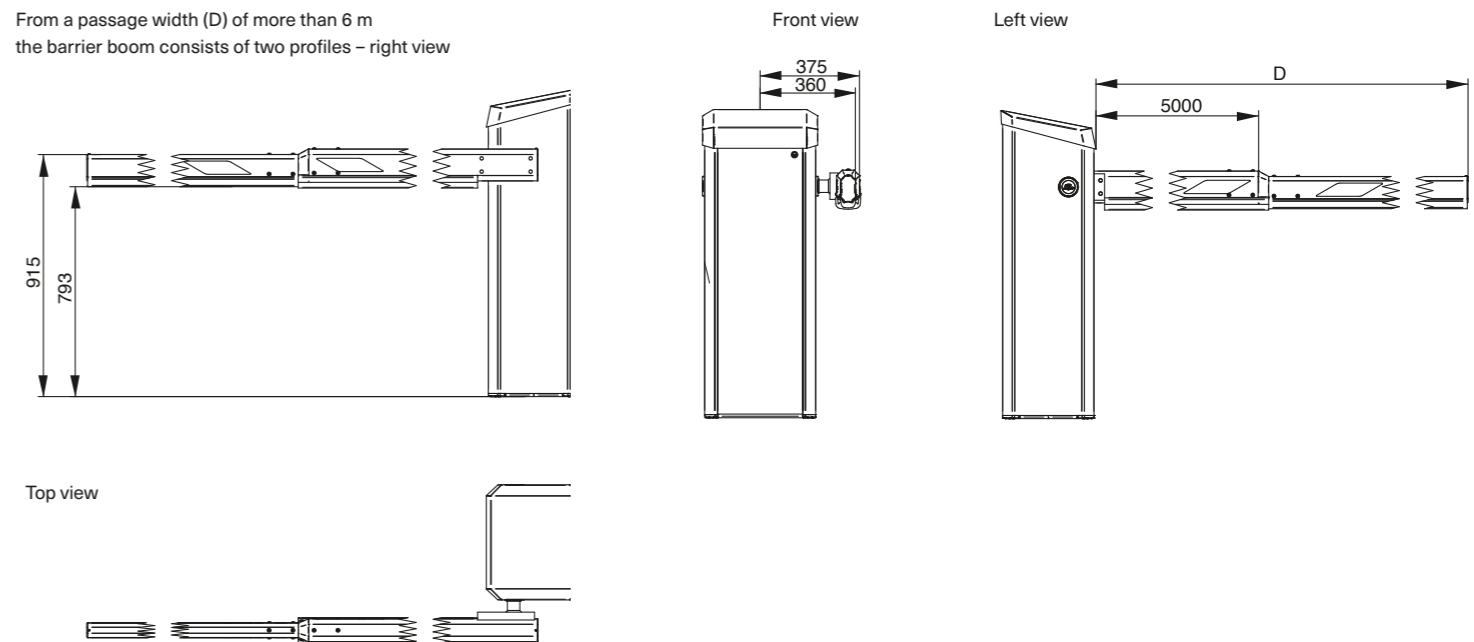
Features	Access XL 2	Access XXL
Standard colours	RAL 2000	RAL 2000
Barrier boom	MicroBoom XL	MicroBoom XL
Control system	MGC Pro	MGC Pro
Integrated 2-channel detector for induction loops	Standard	Standard
Modular expansion of control system	Standard	Standard
Variable I/O assignment	Standard	Standard
No. of digital inputs	8	8
No. of relays/digital outputs	6/4	6/4
Input with test for safety light barrier/Laser scanner	Standard	Standard
Selectable closing speed	3 levels	3 levels
Selectable opening speed	3 levels	3 levels

Dimensional drawings

Access XL2 and Access XXL with MicroBoom: barrier booms up to a blocking width (D) of 6 m have a continuous octagonal profile – right view



From a passage width (D) of more than 6 m the barrier boom consists of two profiles – right view



Standard colour



Orange (RAL 2000)

Special colours are also available on request and can be selected from the table of four-digit RAL colours.

All barriers from Magnetic are available as left and right versions. If one looks at the barrier housing down the boom from its tip, the boom is on the left in the L variant and on the right with the R variant.

Access XL2 and Access XXL

Access barriers



Products in basic configuration

Product description	Article number	Article number
Barrier Access XL2	right version	left version
Access XL2, orange, blocking width max. 8.5 m	ACCESS XL2-RA00000	ACCESS XL2-LA00000
Barrier Access XXL	right version	left version
Access XXL, orange, blocking width max. 10 m	ACCESS XXL-RA00000	ACCESS XXL-LA00000

The barriers Access XL2 and Access XXL will in the basic configuration be delivered with controller MGC Pro with 2-channel loop detector, flange (welded to flange tube) as well as u-shaped rails for quick and easy installation. All models have to be used with either a pendulum support or a support post.

Special colours for the barrier housing

Article number	Product description
SL01	Barrier housing and top cover in the same colour, doors in standard colour (black grey, similar RAL 7021) ¹
SL02	Barrier housing, top cover and doors in same colour ¹
SL03	Barrier housing and top cover in the same colour, doors in other selectable colour ¹
SL04	Barrier housing, top cover and doors in different colours ¹

Barrier booms for Access XL2

Article number	Product description
Barrier booms for Access XL2	
MicroBoom-XL060	MicroBoom XL, blocking width 6.0 m ²
MicroBoom-XL070	MicroBoom XL, blocking width 7.0 m ²
MicroBoom-XL085	MicroBoom XL, blocking width 8.5 m ²
EP01	Extra charge for shortening of barrier boom

Barrier booms for Access XXL

MicroBoom-XL060	MicroBoom XL, blocking width 6.0 m ²
MicroBoom-XL070	MicroBoom XL, blocking width 7.0 m ²
MicroBoom-XL085	MicroBoom XL, blocking width 8.5 m ²
MicroBoom-XL090	MicroBoom XL, blocking width 9.0 m ²
MicroBoom-XL100	MicroBoom XL, blocking width 10.0 m ²
EP01	Extra charge for shortening of barrier boom

Spare parts

A comprehensive digital list of spare parts for Access XL2 and Access XXL is available. If necessary, please request this via e-mail to cs@ac-magnetic.com

¹ The powder coating with special colours will be provided with coarse structure in a silk glossy powder coating. Colour shades can be selected from the four digit RAL code range. The desired RAL colour has to be specified on the purchase order.

² Barrier boom for direct mounting to flange, incl. edge protection.

Options and accessories for barriers

Sensors	
Induction loops	•
Photoelectric safety switches	•
Laser scanner	•
Operation	
Radio remote control	•
Control console	•
Key switches	•
Connectivity	
Plug-in module	•
GSM module	•
Signalling	
Flashlights and flashing lights for barriers	•
Signal generator, mast and accessories	•
Other accessories	
Battery backup	
Installation accessories	•
Built-in components	•
Service module and software	•

Order information for options and accessories from p. 40.

Options and accessories for barrier booms

Boom illumination and individualisation	
Boom illumination with individual red LED lights	•
Boom illumination with red/green LED strips	•
Expansion sets for VarioBoom®	
Skirt	
Standard skirt	•
Climb-over prevention skirt	•
Supports for long barrier booms	
Support post	•
Pendulum support	•
Other accessories	
Electromechanical boom locks	•
Boom contact	
Flange with break-away option	

Order information for options and accessories for barrier booms from p. 48.

Access Solar

Solar-powered access barriers

- > Autonomous energy supply via solar panel
- > More than 500 barrier cycles per day
- > High security with optional boom skirts
- > Legal security with Declarations of Conformity and Performance
- > Acclaimed design: German Design Award 2014 and Red Dot Design Award 2012
- > Designed for 10 million opening and closing actions

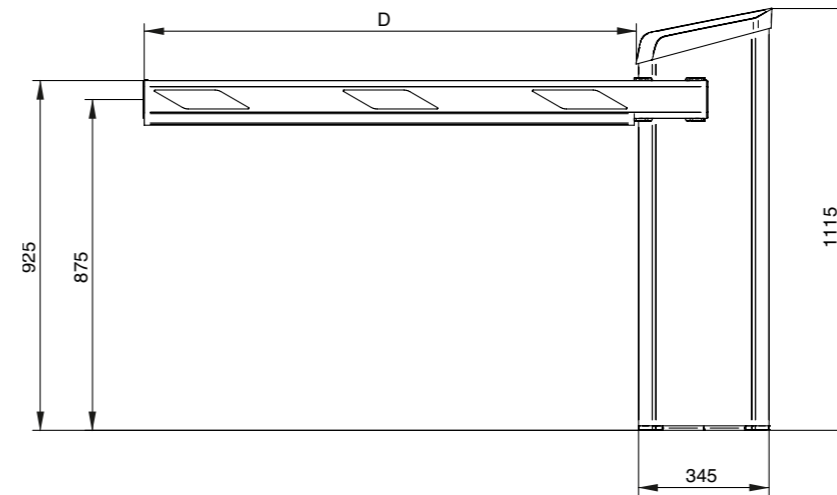


Technical data	Access Pro-H Solar
Lane width	Max. 6.0 m
Opening/closing time	4.0 s
Power consumption	Max. 25 W
Drive technology	MHTM™
Voltage	24 V DC
Number of opening/closing cycles	> 500 cycles per day
Housing dimensions (W x D x H)	315 x 360 x 1115 mm
Enclosure rating	IP54
Temperature range	-15 to +50°C¹
Weight (without batteries)	44 kg

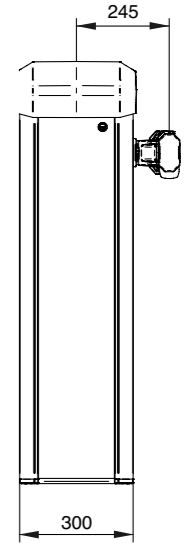
Standard colour	Features	Access Pro-H Solar
Orange (RAL 2000)	Standard colour	RAL 2000
	Barrier arm	MicroBoom
	Control system	MGC Pro
	Integrated 2-channel detector for induction loops	Standard
	Modular expansion of control system	Radio module
	Variable I/O assignment	Standard
	No. of digital inputs	8
	No. of relays/digital outputs	6/4
	Input with test for safety light barrier/Laser scanner	Standard
	Selectable closing speed	Standard
	Selectable opening speed	Standard

Dimensional drawings

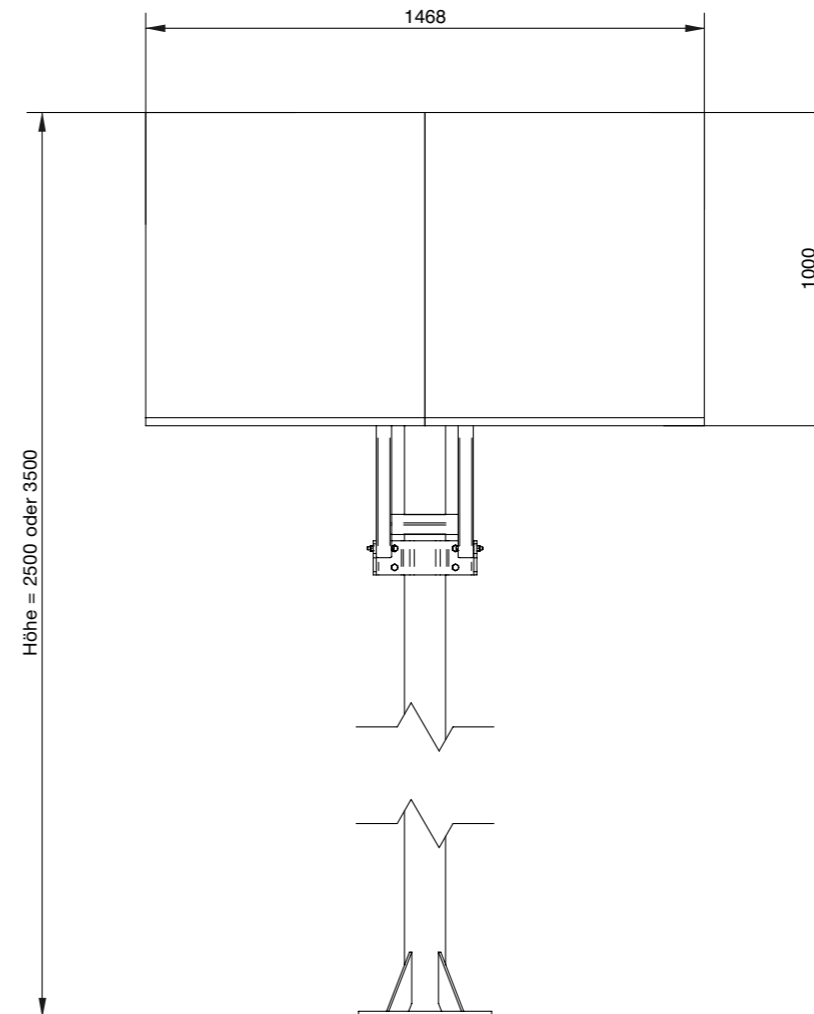
Access Pro-H Solar with MicroBoom, view from right



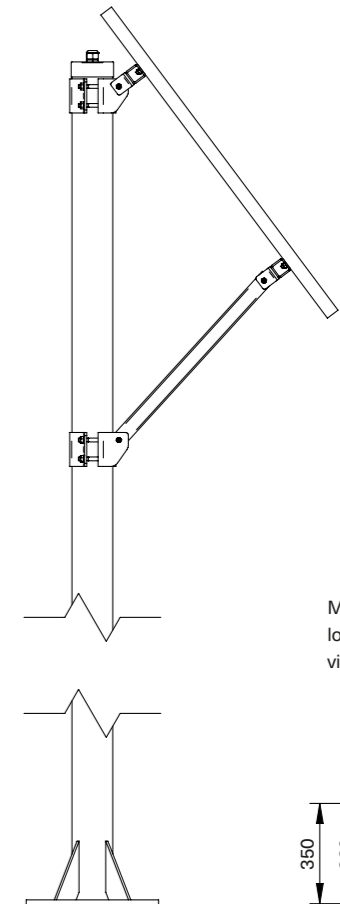
Front view



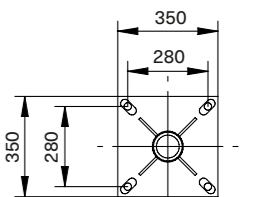
Mast and solar panel for power supply for Access Solar, front view



Side view



Mounting plate at lower end of the mast, view from above

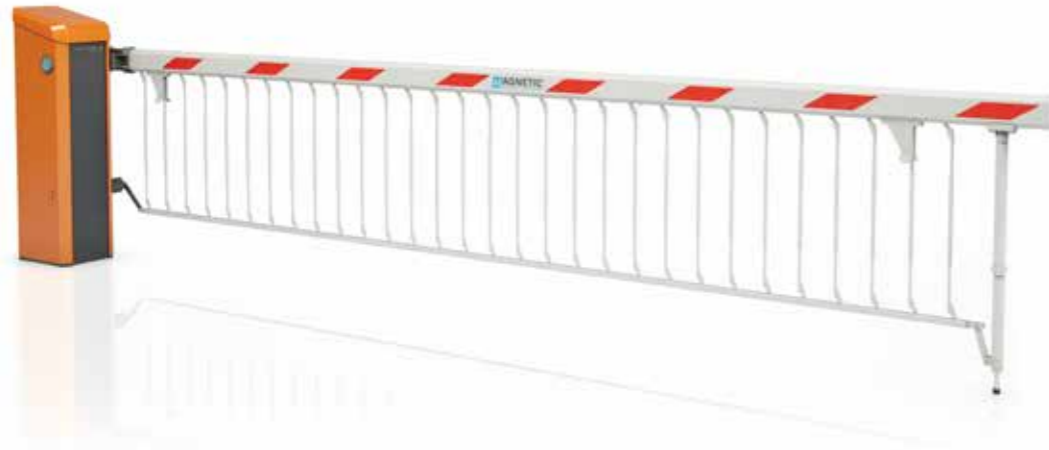


All barriers from Magnetic are available as left and right versions. If one looks at the barrier housing down the boom from its tip, the boom is on the left in the L variant and on the right with the R variant.

Cable and plug for connection between panel and barrier housing are included in the delivery. A maximum distance of 10 m is permitted between the panel and the barrier.

Access Solar

Solar-powered access barriers



Products in basic configuration

Product description	Article number	Article number
Barrier Access Solar	right version	left version
Access Pro-H, orange, blocking width max. 6.0 m ¹	ACCESS PRO-H-RS00000	ACCESS PRO-H-LS00000

The barriers Access Pro-H will in the basic configuration be delivered with controller MGC Pro with 2-channel loop detector, flange (FLVB01) as well as u-shaped rails for quick and easy installation.

Special colours for the barrier housing

Article number	Product description
SL01	Barrier housing and top cover in the same colour, doors in standard colour (black grey, similar RAL 7021) ²
SL02	Barrier housing, top cover and doors in same colour ²
SL03	Barrier housing and top cover in the same colour, doors in other selectable colour ²
SL04	Barrier housing, top cover and doors in different colours ²

Barrier booms

Article number	Product description
MicroBoom-N035	MicroBoom, blocking width 3.5 m ³
MicroBoom-N045	MicroBoom, blocking width 4.5 m ³
MicroBoom-N050	MicroBoom, blocking width 5.0 m ³
MicroBoom-N060	MicroBoom, blocking width 6.0 m ³
EP01	Extra charge for shortening of barrier boom

Spare parts

A comprehensive digital list of spare parts for Access Pro-H is available. If necessary, please request this via e-mail to cs@ac-magnetic.com

¹ Support post and pendulum support required for blocking width > 3.5 m.

² The powder coating with special colours will be provided with coarse structure in a silk glossy powder coating. Colour shades can be selected from the four digit RAL code range. The desired RAL colour has to be specified on the purchase order.

³ Barrier boom for direct mounting to flange, incl. edge protection.

Options and accessories for barriers

Sensors

Induction loops	•
Photoelectric safety switches	•
Laser scanner	

Operation

Radio remote control	•
Control console	•
Key switches	•

Connectivity

Radio module	•
Plug-in module	
GSM module	

Signalling

Flashlights and flashing lights for barriers	•
Signal generator, mast and accessories	

Other accessories

Battery backup	
Installation accessories	•
Built-in components	•
Service module and software	•

Order information for options and accessories from p. 40.

Options and accessories for barrier booms

Boom illumination and individualisation

Boom illumination with individual red LED lights ¹	•
Boom illumination with red/green LED strips	
Expansion sets for VarioBoom [®]	

Skirt

Standard skirt	•
Climb-over prevention skirt	•

Supports for long barrier booms

Support post	•
Pendulum support	•

Other accessories

Electromechanical boom locks	
Boom contact	
Flange with break-away option	

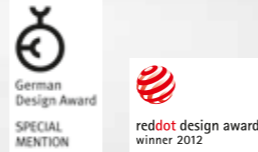
Order information for options and accessories for barrier booms from p. 48.

¹ only LED02

Parking Pro

Parking Barrier




- > Reliable detection of tailgating vehicles
- > Low power consumption for economical operation
- > Optimum accessibility for particularly easy maintenance
- > German Design Award 2014 and Red Dot Design Award 2012
- > Designed for 10 million opening and closing cycles



Technical data	Parking Pro
Blocking width	Max. 3.5 m
Opening/closing time	1.3 s
Power consumption	Max. 95 W
Drive technology	MHTM™
Voltage	100–240 V AC, 50–60 Hz
Duty cycle	100%
Housing dimensions (W x D x H)	315 x 360 x 915 mm
Enclosure rating	IP54
Temperature range	–30 to +55° C
Weight	40 kg

Features	Parking Pro
Standard colours	RAL 2000, 9006, 9007
VarioBoom® barrier boom	Standard
Control system	MGC Pro
Integrated 2-channel detector for induction loops	Standard
Modular expansion of control system	Standard
Variable I/O assignment	Standard
No. of digital inputs	8
No. of relays/digital outputs	6/4
Input with test for safety light barrier/Laser scanner	1
Selectable closing speed	3 levels
Selectable opening speed	3 levels

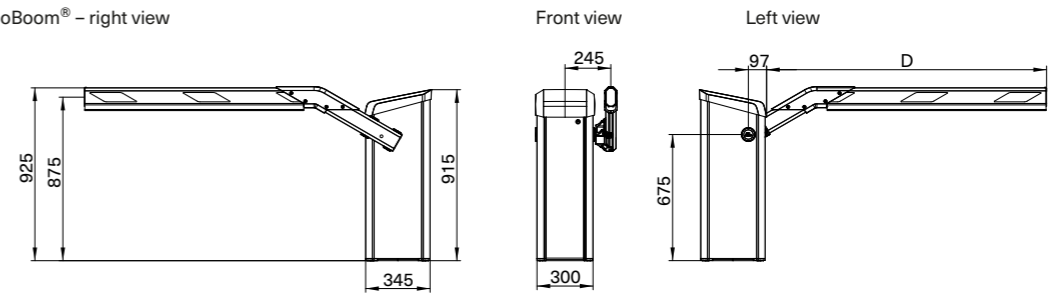
Standard colours

		
Orange (RAL 2000)	White aluminium (similar to RAL 9006)	Grey aluminium (similar to RAL 9007)

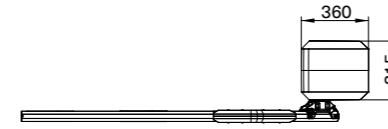
Special colours are also available on request and can be selected from the table of four-digit RAL colours.

Dimensional drawings

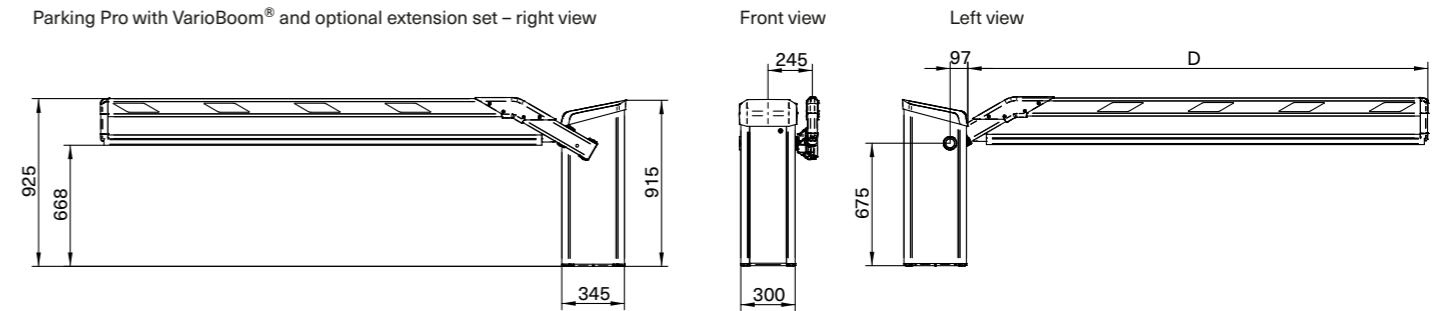
Parking Pro with VarioBoom® – right view



Top view



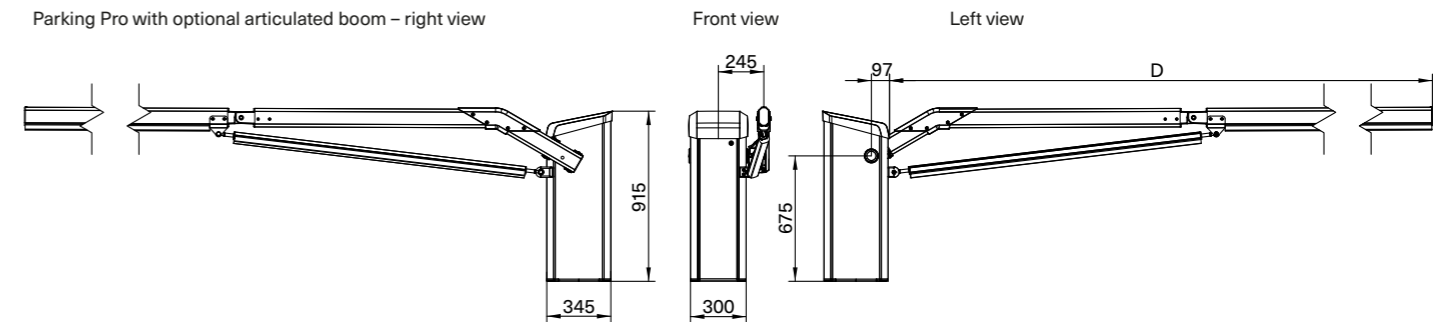
Parking Pro with VarioBoom® and optional extension set – right view



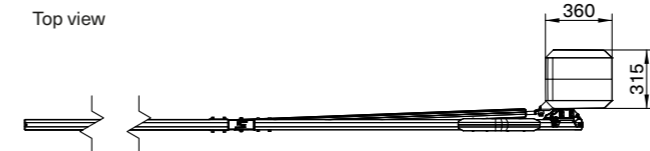
Top view



Parking Pro with optional articulated boom – right view



Top view



All barriers from Magnetic are available as left and right versions. If one looks at the barrier housing down the boom from its tip, the boom is on the left in the L variant and on the right with the R variant.

Parking Pro

Parking Barrier



Products in basic configuration		
Product description	Article number	Article number
Barrier Parking Pro	right version	left version
Parking Pro, orange, blocking width max. 3.5 m	PARKING PRO-RA00000	PARKING PRO-LA00000
Parking Pro, grey aluminium, blocking width max. 3.5 m	PARKING PRO-RA00010	PARKING PRO-LA00010
Parking Pro, white aluminium, blocking width max. 3.5 m	PARKING PRO-RA00020	PARKING PRO-LA00020

The barriers Parking Pro will in the basic configuration be delivered with controller MGC Pro with 2-channel loop detector, flange (FLVB01), rear boom part (SBH01) as well as u-shaped rails for quick and easy installation.

Special colours for the barrier housing	
Article number	Product description
SL01	Barrier housing and top cover in the same colour, doors in standard colour (black grey, similar RAL 7021) ¹
SL02	Barrier housing, top cover and doors in same colour ¹
SL03	Barrier housing and top cover in the same colour, doors in other selectable colour ¹
SL04	Barrier housing, top cover and doors in different colours ¹

Barrier booms	
Article number	Product description
SBV-N025	VarioBoom [®] front, blocking width 2.5 m ²
SBV-N030	VarioBoom [®] front, blocking width 3.0 m ²
SBV-N035	VarioBoom [®] front, blocking width 3.5 m ²
EP01	Extra charge for shortening of barrier boom
KBS11	Articulated boom length D = max. 3.5 m, individual height H = max. 2.5 m ³
KBB01	Kit set for articulated boom, D = max. 3.5 m, H = max. 2.5 m ³

Spare parts

A comprehensive digital list of spare parts for the car park barrier Parking Pro is available. If necessary, please request this via e-mail to cs@ac-magnetic.com

¹ The powder coating with special colours will be provided with coarse structure in a silk glossy powder coating. Colour shades can be selected from the four digit RAL code range. The desired RAL colour has to be specified on the purchase order.

² Barrier boom for direct mounting to flange, incl. edge protection.

³ Barrier boom has to be ordered additionally. Please indicate passage width D and height H on your purchase order.

Options and accessories for barriers	
Sensors	
Induction loops	•
Photoelectric safety switches	•
Laser scanner	•
Operation	
Radio remote control	•
Control console	•
Key switches	•
Connectivity	
Plug-in module	•
GSM module	•
Signalling	
Flashlights and flashing lights for barriers	•
Signal generator, mast and accessories	•
Other accessories	
Battery backup	•
Installation accessories	•
Built-in components	•
Service module and software	•

Order information for options and accessories from p. 40.

Options and accessories for barrier booms	
Boom illumination and individualisation	
Boom illumination with individual red LED lights	•
Boom illumination with red/green LED strips	•
Expansion sets for VarioBoom [®]	•
Skirt	
Standard skirt	
Climb-over prevention skirt	
Supports for long barrier booms	
Support post	
Pendulum support	
Other accessories	
Electromechanical boom locks	•
Boom contact	•
Flange with break-away option	•

Order information for options and accessories for barrier booms from p. 48.

Toll barrier

- > Opening and closing time down to 0.3 s
- > Very low operating costs thanks to efficient and long-lived MHTM™ drive
- > Ease-of-use and optimum accessibility thanks to well thought-out design
- > Prize-winning design: German Design Award 2014 and Red Dot Design Award 2012
- > Designed for 10 million opening and closing cycles



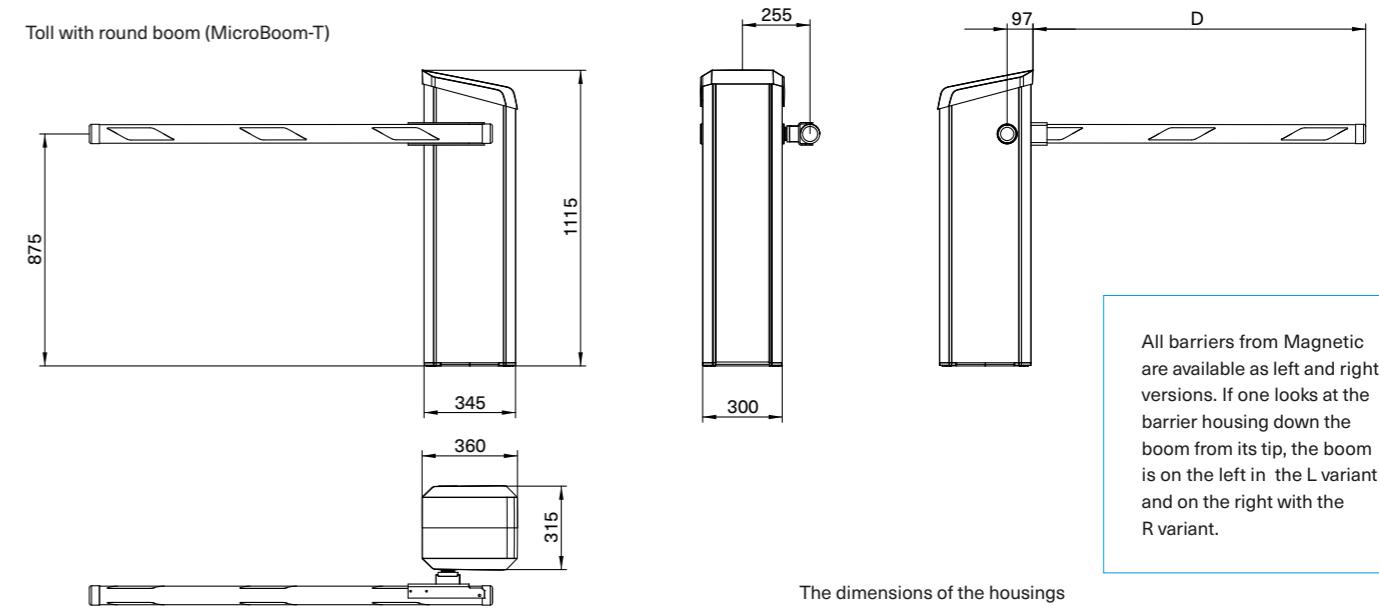
Technical data	Toll	Toll Pro	Toll HighSpeed	Toll HighSpeed 2
Blocking width	Max. 3.0 m	Max. 3.0 m	Max. 3.0 m	Max. 3.2m (with 2 barriers)
Opening/closing time	1.3 s	0.9 s	0.6 s	0.3 s
Power consumption	Max. 55 W	Max. 95 W	Max. 320 W	Max. 450 W
Drive technology	MHTM™	MHTM™	MHTM™	MHTM™
Voltage	100–240 V AC, 50–60 Hz	100–240 V AC, 50–60 Hz	100–240 V AC, 50–60 Hz	100–240 V AC, 50–60 Hz
Duty cycle	100 %	100 %	100 %	100 %
Housing dimensions (W x D x H)	315 x 360 x 1115 mm	315 x 360 x 1115 mm	315 x 360 x 1115 mm	315 x 360 x 1115 mm
Enclosure rating	IP54	IP54	IP54	IP54
Temperature range	-30 to +55 °C	-30 to +55 °C	-30 to +55 °C	-30 to +55 °C
Weight	approx. 42 kg	approx. 42 kg	approx. 44 kg	approx. 44 kg

Features	Toll	Toll Pro	Toll HighSpeed	Toll HighSpeed 2
Standard colour	RAL 2000	RAL 2000	RAL 2000	RAL 2000
Barrier boom	3 models available	3 models available	3 models available	2 models available
Control system	3 models available	3 models available	3 models available	3 models available
Number of digital inputs	8	8	8	8
Input with test for safety light barrier/ Laser scanner	1	1	1	1
Number of relay/ digital outputs	6/4	6/4	6/4	6/4
Closing speed	adjustable	adjustable	adjustable	adjustable

Control systems	MGC without loop detector	MGC with loop detector	MGC Pro
2 detector channels		•	•
Adjustable inputs/outputs			•
3 opening speeds			•

Dimensional drawings

Toll with round boom (MicroBoom-T)



The dimensions of the housings are identical for all models.

All barriers from Magnetic are available as left and right versions. If one looks at the barrier housing down the boom from its tip, the boom is on the left in the L variant and on the right with the R variant.

Barrier boom selection

Round boom (MicroBoom-T)



- > For blocking width up to 3 m
- > The swing-away flange protects the boom and barrier in the event of a collision

Item number	Toll	Toll Pro	Toll HighSpeed	Toll HighSpeed 2
MicroBoom-T030	•	•	•	
MicroBoom-T015				•

Rectangular boom (MicroBoom-S)



- > For blocking width up to 3 m
- > The swing-away flange protects the boom and barrier in the event of a collision
- > Edge protector elements provide additional protection for the vehicle and barrier boom

Item number	Toll	Toll Pro	Toll HighSpeed	Toll HighSpeed 2
MicroBoom-S025	•	•	•	
MicroBoom-S030	•			

Soft boom (MicroBoom-AT)



- > For blocking width up to 3 m
- > The automatic swing-away flange disengages in the event of a collision so that neither the vehicle nor the barrier are damaged and then independently re-engages

Item number	Toll	Toll Pro	Toll HighSpeed	Toll HighSpeed 2
MicroBoom-AT015				•
MicroBoom-AT030	•	•	•	

Toll

Toll barrier



Products in basic configuration		
Product description	Article number	Article number
Toll	right version	left version
Toll, orange, 1.3 seconds, blocking width max. 3.0 m, with control unit MGC without loop detector module	TOLL-RA00000	TOLL-LA00000
Toll, orange, 1.3 seconds, blocking width max. 3.0 m, with control unit MGC and loop detector module, 2-channel	TOLL-RA00001	TOLL-LA00001
Toll, orange, 1.3 seconds, blocking width max. 3.0 m, with control unit MGC Pro and loop detector module, 2-channel	TOLL-RA00002	TOLL-LA00002
Toll Pro	right version	left version
Toll Pro, orange, 0.9 seconds, blocking width max. 3.0 m, with control unit MGC without loop detector module	TOLL PRO-RA00000	TOLL PRO-LA00000
Toll Pro, orange, 0.9 seconds, blocking width max. 3.0 m, with control unit MGC and loop detector module, 2-channel	TOLL PRO-RA00001	TOLL PRO-LA00001
Toll Pro, orange, 0.9 seconds, blocking width max. 3.0 m, with control unit MGC Pro and loop detector module, 2-channel	TOLL PRO-RA00002	TOLL PRO-LA00002
Toll HighSpeed	right version	left version
Toll HighSpeed, orange, 0.6 seconds, blocking width max. 3.0 m, with control unit MGC without loop detector module	TOLL HiSpeed-RA00000	TOLL HiSpeed-LA00000
Toll HighSpeed, orange, 0.6 seconds, blocking width max. 3.0 m, with control unit MGC and loop detector module, 2-channel	TOLL HiSpeed-RA00001	TOLL HiSpeed-LA00001

Products in basic configuration		
Product description	Article number	Article number
Toll HighSpeed 2	right version	left version
Toll HighSpeed 2, orange, 0.3 seconds, blocking width max. 1.5 m, with control unit MGC without loop detector module	TOLL HiSpeed2-RA00000	TOLL HiSpeed2-LA00000
Toll HighSpeed 2, orange, 0.3 seconds, blocking width max. 1.5 m, with control unit MGC and loop detector module, 2-channel	TOLL HiSpeed2-RA00001	TOLL HiSpeed2-LA00001

The toll barriers Toll will in the basic configuration be delivered with u-shaped rails for quick and easy installation.

Special colours for the barrier housing	
Article number	Product description
SL01	Barrier housing and top cover in the same colour, doors in standard colour (black grey, similar RAL 7021) ¹
SL02	Barrier housing, top cover and doors in same colour ¹
SL03	Barrier housing and top cover in the same colour, doors in other selectable colour ¹
SL04	Barrier housing, top cover and doors in different colours ¹

Barrier booms	
Article number	Product description
Barrier booms MicroBoom-T	
MicroBoom-T030	Round boom for swing-away flange, diameter 75 mm, blocking width 3.0 m
FLSAMBT	Swing-away flange for round boom MicroBoom-T
EP01	Extra charge for shortening of barrier boom
Barrier booms MicroBoom-S	
MicroBoom-S025	Octagonal boom for swing-away flange, blocking width 2.5 m, incl. edge protection
MicroBoom-S030	Octagonal boom for swing-away flange, blocking width 3.0 m, incl. edge protection (not possible for TOLL Pro/HiSpeed)
FLSAMBS	Swing-away flange for Octagonal boom MicroBoom-S
EP01	Extra charge for shortening of barrier boom
Barrier booms MicroBoom-AT	
MicroBoom-AT015	Round boom with aluminium core and foam casing, diameter ca. 80 mm, blocking width 1.5 m ²
MicroBoom-AT030	Round boom with aluminium core and foam casing, diameter approx. 80 mm, blocking width 3.0 m ²
FLSAMBXT	Swing-away flange for round boom MicroBoom-AT
FLSAUTOMBXT	Auto swing-away flange for round boom MicroBoom-AT

Some boom types are not compatible to all barrier models. Please refer to the table on p. 37 for possible combinations.

¹ The powder coating with special colours will be provided with coarse structure in a silk glossy powder coating. Colour shades can be selected from the four digit RAL code range. The desired RAL colour has to be specified on the purchase order.

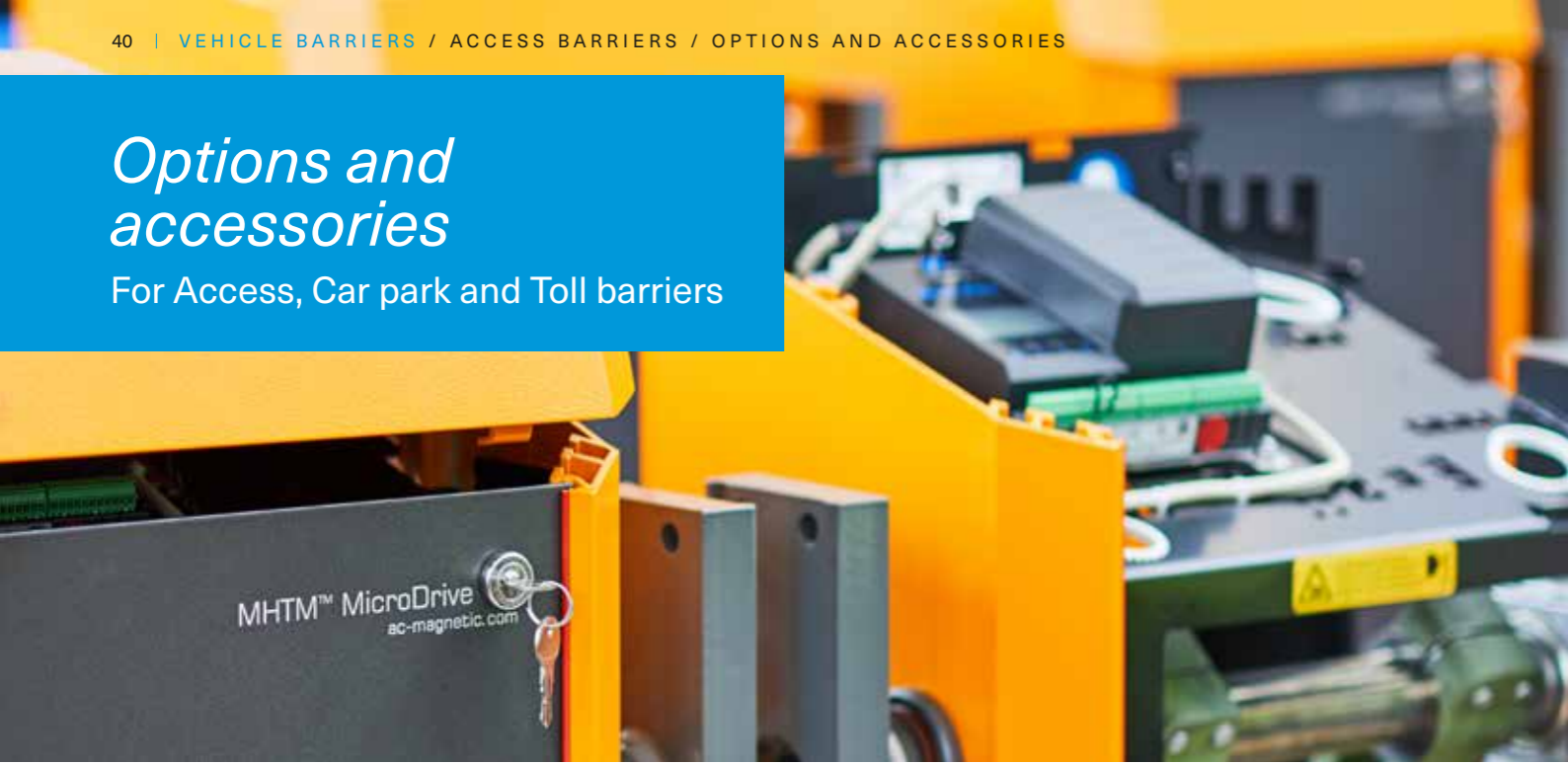
² No individual shortenings possible.

Options and accessories for barriers	
Sensors	
Induction loops	•
Photoelectric safety switches	•
Laser scanner	•
Operation	
Radio remote control	•
Control console	•
Key switches	•
Connectivity	
Plug-in module	•
GSM module	
Signalling	
Flashlights and flashing lights for barriers	•
Signal generator, mast and accessories	•
Other accessories	
Battery backup	•
Installation accessories	•
Built-in components	•
Service module and software	•
Boom contact	•
Order information for options and accessories from p. 40.	
Spare parts	

A comprehensive digital list of spare parts for Toll is available. If necessary, please request this via e-mail to cs@ac-magnetic.com

Options and accessories

For Access, Car park and Toll barriers



Suitable for every type of application

Numerous options and accessories can be used to expand the functional scope of the vehicle barriers from Magnetic and precisely adapt them to the requirements at the installation location. When placing an order, it is necessary to indicate whether the options and accessories should be delivered loosely or already fitted to the barriers. If you want them fitted to the barriers, it may be necessary to add an additional item number to the order for the installation charge.

Sensors

Inductive loops, light barriers and laser scanners ensure that vehicles and pedestrians are reliably detected.

Inductive loops and 2-channel loop detector module



- > Inductive loops can be installed as monitoring, opening and presence loops
- > Available in lengths from 6 to 21 m
- > For all barriers and for the additional 2-channel detector module
- > 2-channel inductive loop detector for monitoring the area around the barrier
- > Expands the MGC and MGC Pro control units from 2 to a max. of 4 channels

Article number	Product description	Access	Access -L	Access Pro	Access Pro-L	Access Pro-H	Access XL2	Access XXL	Parking Pro	Toll
IS06	Induction loop 6 m	•	•	•	•	•	•	•	•	•
IS09	Induction loop 9 m	•	•	•	•	•	•	•	•	•
IS12	Induction loop 12 m	•	•	•	•	•	•	•	•	•
IS15	Induction loop 15 m	•	•	•	•	•	•	•	•	•
IS21	Induction loop 21 m	•	•	•	•	•	•	•	•	•
DM02	Loop detector module, 2-channel	•	•	•	•	•	•	•	•	•

Light barriers

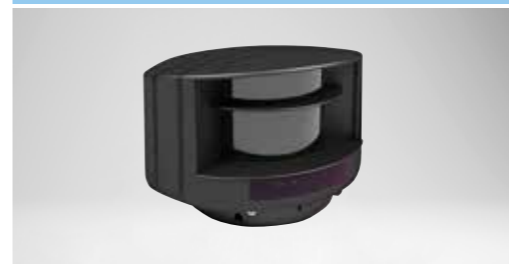


- > For monitoring the area directly under the barrier boom
- > Takes over the task of an inductive loop in monitoring mode

Article number	Product description	Access	Access -L	Access Pro	Access Pro-L	Access Pro-H	Access XL2	Access XXL	Parking Pro	Toll
LS21	Safety light barrier, transmitter and receiver with additional parts, through-beams light barrier	•	•	•	•	•	•	•	•	•
LS22	Safety light barrier, transmitter and receiver with additional parts, two beam version (one upon the other) ¹	•	•	•	•	•	•	•	•	•
EP02	Assembly charge for light barrier (for each mounted transmitter or receiver)	•	•	•	•	•	•	•	•	•
APLS01	Counter post for photo-electric beam, RAL 7043	•	•	•	•	•	•	•	•	•
BSAP01	Anchor set for support post or counter post	•	•	•	•	•	•	•	•	•

¹ With ACCESS XL2 and ACCESS XXL barriers, key switches and fire brigade switches can only be installed at the left side of the barrier housing. This means that if a left-hand version of this barrier type is used with a light barrier LS02, only one key switch or firebrigade switch can be installed.

Laser scanners




- > Horizontal laser scanners for use on barriers with high impact forces in combination with pedestrian traffic
- > Reliable use of inductive loops for opening and monitoring
- > Vertical laser scanners for reliable detection of commercial vehicles with high overhangs or attached trailers
- > Large monitoring field for wide access roads to factory premises and freight forwarding companies

Article number	Product description	Access	Access -L	Access Pro	Access Pro-L	Access Pro-H	Access XL2	Access XXL	Parking Pro	Toll
MLSHOR01	Horizontal laser scanner without housing	•	•	•	•	•	•	•	•	•
MLGHOR01	Housing for horizontal laser scanner, for installation on barrier housing	•	•	•	•	•	•	•	•	•
MLPEIN_0000	Scanner housing for horizontal laser scanner in separate post	•	•	•	•	•	•	•	•	•
MLPREF01	Reference face plate as post for horizontal laser scanner	•	•	•	•	•	•	•	•	•
MLSVR01	Vertical laser scanner without housing	•	•	•	•	•	•	•	•	•
MLGVER_0000	Installation housing vertical laser scanner	•	•	•	•	•	•	•	•	•
MLPF01	Post for vertical laser scanner (MLGVER_0000 required)	•	•	•	•	•	•	•	•	•
MLVE24	Power supply unit with small parts for laser scanner	•	•	•	•	•	•	•	•	•
MLFB01	Remote control for parameterization of laser scanner	•	•	•	•	•	•	•	•	•

Operation
Radio transmitters, key-operated switches and control panels simplify the manual operation of the barriers.


Handheld radio transmitters



> For wireless control of barriers using a handheld transmitter with up to 4 channels
 > Free allocation of the buttons to the desired functions

Article number	Product description	Access	Access -L	Access Pro	Access Pro-L	Access Pro-H	Access XL2	Access XXL	Parking Pro	Toll
HS1K01	Hand transmitter 1-channel	•	•	•	•	•	•	•	•	•
HS2K01	Hand transmitter 2-channel	•	•	•	•	•	•	•	•	•
HS4K01	Hand transmitter 4-channel	•	•	•	•	•	•	•	•	•
MHS2K01	Miniature hand transmitter 2-channels	•	•	•	•	•	•	•	•	•

Key-operated switches, fire brigade switches and limit switches



> Key-operated switches and profile half cylinders for the one-time or permanent opening and closing of the barriers
 > Fire brigade switches to allow the emergency services to open the barriers
 > Limit switches for detecting the position of the barrier boom, installation in the barrier housing


Article number	Product description	Access	Access -L	Access Pro	Access Pro-L	Access Pro-H	Access XL2	Access XXL	Parking Pro	Toll
SS01	Key switch locked open/momentary close (prepared for profile half-cylinder) ²	•	•	•	•	•			•	•
SS02	Key switch momentary open/close (prepared for profile half-cylinder) ²	•	•	•	•	•			•	•
SS51	Key switch locked open/momentary close (prepared for profile half-cylinder) ²						•	•		
SS52	Key switch momentary open/close (prepared for profile half-cylinder) ²						•	•		
PHZE01	Individual profile half-cylinder with 3 keys) ²	•	•	•	•	•	•	•	•	•
PHZG01	Keyed alike profile half-cylinder with 3 keys) ²	•	•	•	•	•	•	•	•	•
FWS01	GERMAN fire brigade switch (Standard DIN 3223)	•	•	•	•	•			•	
FWS51	GERMAN fire brigade switch (standard DIN 3223) ²						•	•		

Key-operated switches, fire brigade switches and limit switches (continued)

Article number	Product description	Access	Access -L	Access Pro	Access Pro-L	Access Pro-H	Access XL2	Access XXL	Parking Pro	Toll
ESM01	Mechanical limit switch, 1 piece with mounting (feedback of boom position)	•	•	•	•	•			•	•
ESM50	Mechanical limit switch (feedback of boom position)						•	•		
EP03	Assembly charge for switches	•	•	•	•	•	•	•	•	•

² With Access XL2 and Access XXL barriers, key switches and fire brigade switches can only be installed at the left side of the barrier housing.

Control panels




> For easy control of up to 2 Magnetic barriers in gatekeeper operation. If more than 2 barriers are installed, at least 2 control panels must be used.
 > In addition, there is a further push-button for free use.
 > One push button for opening and closing each barrier. In addition, there is a push button for permanent opening.

Article number	Product description	Access	Access -L	Access Pro	Access Pro-L	Access Pro-H	Access XL2	Access XXL	Parking Pro	Toll
PULT01	Desk panel for one barrier	•	•	•	•	•	•	•	•	•
PULT02	Desk panel for two barriers	•	•	•	•	•	•	•	•	•

Connectivity
The extension modules enable the control of barriers via various interfaces and protocols.

Expansion and counting modules



> Extension modules for easy control of barriers via Ethernet, RS-485, radio (433 MHz) or mobile communication (GSM)
 > Counting modules for networking barriers and recording the incoming and outgoing vehicles

Article number	Product description	Access	Access -L	Access Pro	Access Pro-L	Access Pro-H	Access XL2	Access XXL	Parking Pro	Toll
FM02	Radio module FM 433 MHz, 2-channel	•	•	•	•	•	•	•	•	
EM01	Ethernet module			•	•	•	•	•	•	•
RSM01	RS485 module			•	•	•	•	•	•	•
ECN01	CAN module (counting module)			•	•	•	•	•	•	•
GSMSET04	GSM module, incl. external antenna and connection cable, version for 2G/4G network	•	•	•	•	•			•	
GSMSET54	GSM module, incl. external antenna and connection cable, version for 2G/4G network						•	•		

³ For the installation in Access XL2 and Access XXL a mounting set MPOS is required. This mounting set has to be ordered additionally.

Signalling

Lights, signalling devices and matching accessories guide pedestrians and car drivers in the area around the barriers.

Blinking and flashing lights



- > For better perception of the barriers during the opening and closing process
- > Available as Xenon flashing lights or LED flashing lights
- > Installation on the hood of the barrier housing

Article number	Product description	Access	Access -L	Access Pro	Access Pro-L	Access Pro-H	Access XL2	Access XXL	Parking Pro	Toll
BL01	Xenon flash light orange 24 V, 125 mA	•	•	•	•	•	•	•	•	•
BLED01	LED flashing light orange, 24 V, 25 mA	•	•	•	•	•	•	•	•	•
EP04	Assembly charge lights	•	•	•	•	•	•	•	•	•

Signalling devices



- > Single and double signalling devices for controlling traffic and better perception of the barriers
- > Available in the colours red, red and green and with the wording "Occupied"
- > Masts for fixing the signalling device to the barrier housing or for free-standing installation
- > Unit for controlling oncoming traffic on single-lane, non-public roads

Article number	Product description	Access	Access -L	Access Pro	Access Pro-L	Access Pro-H	Access XL2	Access XXL	Parking Pro	Toll
SIGNAL1-L210-R-0	Traffic signal head red, 210 mm diameter, with LED panel 230 V, no symbol ⁴	•	•	•	•	•	•	•	•	•
SIGNAL1-L210-R-1	GERMAN Traffic signal head red "Besetzt", 210 mm diameter, with LED panel 230 V ⁴	•	•	•	•	•	•	•	•	•
SIGNAL2-L210-RG-0	Traffic signal head red/green 210 mm diameter, with LED panel 230 V, no symbol ⁴	•	•	•	•	•	•	•	•	•
SIGNAL2-L210-RG-1	GERMAN Traffic signal head red/green "Besetzt/Frei", 210 mm diameter, with LED panel 230 V ⁴	•	•	•	•	•	•	•	•	•
SIGNAL2-L210-RY-0-2	Traffic signal head red/yellow 210 mm diameter, with LED panel 230 V, yellow panel flashing (incl. flasher unit), no symbol ⁴	•	•	•	•	•	•	•	•	•

⁴ For direct control of the traffic signal by the MGC controller, you need to order a relay RELO1 per traffic signal head.

Signalling device fixing, control and other accessories

Article number	Product description	Access	Access -L	Access Pro	Access Pro-L	Access Pro-H	Access XL2	Access XXL	Parking Pro	Toll
MSSIGNAL01	Mast Ø 76mm, H=2.2 m for installation of signal heads at the barrier housing, incl. mounting set	•	•	•	•	•	•	•	•	•
MSSIGNAL02	Mast Ø 76mm, H=3.2 m for installation of signal heads at the barrier housing, incl. mounting set	•	•	•	•	•	•	•	•	•
EP12	Preparation of barrier housing for MSSIGNAL01 and MSSIGNAL02	•	•	•	•	•	•	•	•	•
SIGNALM01	Mounting mast for signal heads H=2.5 m with post cap, without post door, Ø 108 mm, base plate 350 x 350 x 12 mm, hole spacing 280 mm, Ø 24 mm	•	•	•	•	•	•	•	•	•
SIGNALMK01	Anchor cage for mast, stud spacing 280 x 280 mm, M16-4 (for SIGNALM01)	•	•	•	•	•	•	•	•	•
SIGNALM02	Mounting mast for signal heads H=3.5 m with post cap, without post door, Ø 108 mm, base plate 350 x 350 x 12 mm, hole spacing 280 mm, Ø 24 mm	•	•	•	•	•	•	•	•	•
SIGNALMK02	Anchor cage for mast, stud spacing 280 x 280 mm, M20-4 (for SIGNALM02)	•	•	•	•	•	•	•	•	•
SIGNALBS01	Anchor set for mast (4 x anchor rod M12 x 160 mm stainless steel, glue cartridges and small parts)	•	•	•	•	•	•	•	•	•
GVAE01	Stand-alone control unit to direct the traffic in a single lane installation with oncoming traffic by two traffic signals red/green in non-public road traffic, includes assembly and wiring on an additional mounting plate, relais unit RELO1 is not needed	•	•	•	•	•	•	•	•	•
RELO1	Relay for installation on DIN rail, required for controlling single or double signal heads by controller unit, incl. cable ⁵	•	•	•	•	•	•	•	•	•

⁵ For the installation a mounting set MPOS (in Access XL2 and Access XXL) respectively a mounting plate MP01 (all other barriers) is required. This articles have to be ordered additionally.

Accessories for the power supply, installation, housing and operation

Battery back-up, installation accessories, built-in components and service modules ensure reliable operation.

Battery backup



- > Battery back-up control unit for uninterrupted operation of the barriers even in the event of a power cut
- > The battery packs can maintain the power supply for several hours

Article number	Product description	Access	Access -L	Access Pro	Access Pro-L	Access Pro-H	Access XL2	Access XXL	Parking Pro	Toll
BAT010	Battery backup for barriers in low housing (Access, Access Pro, Access-L, Access Pro-L, Parking Pro), rechargeable batteries are not included	•	•	•	•				•	
BAT011	Battery backup for barriers with tall housing (Access Pro-H), rechargeable batteries are not included					•				• ⁷
BAT-AK010	Battery set (comprises of two lead rechargeable batteries)	•	•	•	•	•			•	•

⁷ Battery backup only available for Toll and Toll Pro models.

Installation accessories



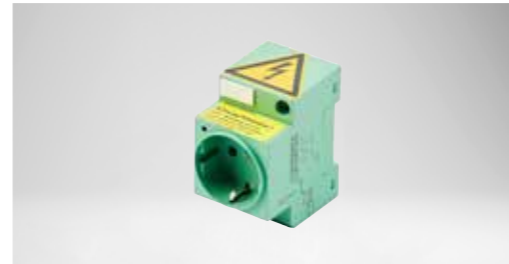
- > Mounting kits for optimal installation of the barriers at the installation location
- > Installation plates for the easy integration of accessories into the barrier housing

Article number	Product description	Access	Access -L	Access Pro	Access Pro-L	Access Pro-H	Access XL2	Access XXL	Parking Pro	Toll
BSS01	Anchor set for barriers and terminal	•	•	•	•	•			•	•
BSS50	Anchor set for Access XL2/XXL barrier (glue cartridges and anchor bolts M12 with inside thread)						•	•		
BSS51	Anchor set for Access XL2/XXL barrier (glue cartridges and anchor bolts M12 with outside thread)						•	•		
MP01	Mounting plate complete	•	•	•	•	•			•	•
MPOS	Option set for mounting plate for Access XL2/XXL						•	•		
EP05	Assembly charge for accessories per mounting plate	•	•	•	•	•	•	•	•	•
SGMD-02-000	Pedestal for increasing the height of a MHTM™ MicroDrive barrier up to a blocking width of 3.5 m (centre of barrier boom in a height of 1750 mm instead of 875 mm with standard housing), orange (RAL 2000), front and back side black grey (similar to RAL 7021) ⁸ , with service door	•	•	•	•	•			•	• ⁸

⁸ Socket SGMD-02-000 only for Toll and Toll Pro models.

⁹ Special colours are also available on request and can be selected from the four digit RAL colour range.

Built-in components



- > Socket for supplying power to additional functional units
- > Heating fans for reliable operation in cold and damp environments
- > Time switches for time-controlled operation of the barriers

Article number	Product description	Access	Access -L	Access Pro	Access Pro-L	Access Pro-H	Access XL2	Access XXL	Parking Pro	Toll
AD01	GERMAN power socket ¹⁰	•	•	•	•	•			•	
AD60	GERMAN power socket for Access XL2/XXL ¹¹						•	•		
HZ02	Heater fan 230WAC/550W ^{10,11,12}	•	•	•	•	•			•	•
ZS1K01	Weekly time switch, 1-channel (24 V) ^{10,11}	•	•	•	•	•	•	•	•	
ZS2K01	Weekly time switch, 2-channel (24 V) ^{10,11}	•	•	•	•	•	•	•	•	
WS01	GERMAN warning label „Achtung Schranke schließt automatisch. Einzeln einfahren. Abstand halten“	•	•	•	•	•	•	•	•	
ESU01	Panel mount buzzer, pulse/steady signal (packed separately)	•	•	•	•	•	•	•	•	

¹⁰ An MPO1 installation plate is required for the installation. This must be ordered separately.

¹¹ An MPOS installation kit is required for installation on Access XL2 and Access XXL barriers. This must be ordered separately.

¹² The heater increases the temperature range of the barrier up to -40 °C.

Service module and software



- > Service module for connecting a PC to the CAN interface on the MGC and MGC Pro control units (via USB)

Article number	Product description	Access	Access -L	Access Pro	Access Pro-L	Access Pro-H	Access XL2	Access XXL	Parking Pro	Toll
SM01	Service module for updating the controller software and copying parameters	•	•	•	•	•	•	•	•	•

Options and accessories

For barrier booms on Access and Parking barriers

Lighting elements and extension sets for better visibility, skirts and climb-over protection for effective restriction of pedestrians, supports for especially large barrier widths and much more – the options and accessories from Magnetic not only allow you to optimally adapt the barriers but also the barrier booms to the challenges faced at the installation location.



Supports for long barrier booms

Support posts and pendulum supports enable barrier widths of up to 10 m.

Support posts and pendulum supports



> Increase the possible width of the barrier, also in combination with skirts and climb-over protection

Article number	Product description	Access	Access -L	Access Pro	Access Pro-L	Access Pro-H	Access XL2	Access XXL	Parking Pro
AP01	Support post RAL 7043 for all barriers and for Access XL2 and XXL with a blocking width > 6.0 m, RAL 7043	•	•	•	•	•	•	•	•
AP51	Support post for Access XL2 and XXL with a blocking width up to 6.0 m, RAL 7043						•	•	
APV01	Support post for electro-mechanical boom locking and for Access XL2 and XXL with a blocking width > 6.0 m, RAL 7043	•	•	•	•	•	•	•	•
APV51	Support post for electro-mechanical boom locking and for Access XL2 and XXL with a blocking width up to 6.0 m, RAL 7043						•	•	
SL09	Special colour for support post or counter post ¹	•	•	•	•	•	•	•	•
BSAP01	Anchor set for support post or counter post	•	•	•	•	•	•	•	•
PS01	Pendulum support with fastening set	•	•	•	•	•	•	•	•

¹ Special colours can be selected from the table of four-digit RAL colours. The desired RAL colour tone must be stated when placing the order.

Skirts

Skirts and skirts with climb-over protection effectively prevent people crawling under and climbing over the barrier.

Skirts



> Prevents crawling under the barrier

Article number	Product description	Access	Access -L	Access Pro	Access Pro-L	Access Pro-H	Access XL2	Access XXL	Parking Pro
GS03000_2000	Boom skirt for blocking width up to 3,0 m					•	•	•	
GS04000_2000	Boom skirt for blocking width up to 4,0 m					•	•	•	
GS05000_2000	Boom skirt for blocking width up to 5,0 m					•	•	•	
GS06000_2000	Boom skirt for blocking width up to 6,0 m					• ¹	•	•	
GS07000_2000	Boom skirt for blocking width up to 7,0 m						•	•	
GS08000_2000	Boom skirt for blocking width up to 8,0 m						•	•	
GS09000_2000	Boom skirt for blocking width up to 9,0 m						• ²	•	
GS10000_2000	Boom skirt for blocking width up to 10,0 m							•	

The skirt parts are supplied loose. The barrier housing is prepared for the mounting of the skirt. It is not possible to mount strips (red/green) at the boom together with skirt with climb-over protection. A support post or a pendulum support is required for use.

¹ The maximum length of the boom skirt is 5 m for the Access Pro-H with pendulum support and 5.5 m with support post.

² The maximum length of the boom skirt is 8.5 m for the Access XL2.

Skirt with climb-over prevention



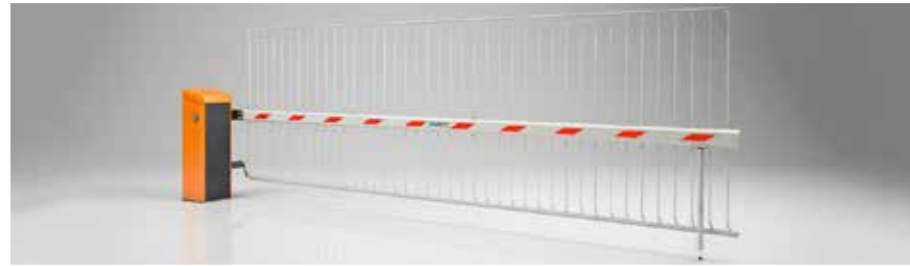
> Total height of the skirt 1300 mm
> Prevents crawling under and climbing over the barrier

Article number	Product description	Access	Access -L	Access Pro	Access Pro-L	Access Pro-H	Access XL2	Access XXL	Parking Pro
GUE03000_2000	Skirt with climb-over protection, 1.3 m height for blocking width up to 3.0 m					•	•	•	
GUE04000_2000	Skirt with climb-over protection, 1.3 m height for blocking width up to 4.0 m					•	•	•	
GUE05000_2000	Skirt with climb-over protection, 1.3 m height for blocking width up to 5.0 m					• ³	•	•	
GUE06000_2000	Skirt with climb-over protection, 1.3 m height for blocking width up to 6.0 m						•	•	

The skirt parts are supplied loose. The barrier housing is prepared for the installation of the skirt. It is not possible to use LED single lights (red) with the climb-over protection skirt. Support posts or hinged supports are required for their use.

³ The maximum length of a barrier boom with a skirt and climb-over protection on the Access Pro-H is 4.3 m with hinged support and 4.7 m with support posts.

Skirt with high climb-over prevention



- > Total height of the skirt 1800 mm
- > Prevents crawling under and climbing over the barrier

Article number	Product description	Access	Access -L	Access Pro	Access Pro-L	Access Pro-H	Access XL2	Access XXL	Parking Pro
GUE03000_2001	Skirt with climb-over protection, 1.8 m height for blocking width up to 3,0 m					•	•	•	
GUE04000_2001	Skirt with climb-over protection, 1.8 m height for blocking width up to 4,0 m					•	•	•	
GUE05000_2001	Skirt with climb-over protection, 1.8 m height for blocking width up to 5,0 m					• ⁴	•	•	
GUE06000_2001	Skirt with climb-over protection, 1.8 m height for blocking width up to 6,0 m						•	•	

The skirt parts are supplied loose. The barrier housing is prepared for the installation of the skirt. It is not possible to use LED single lights (red) with the climb-over protection skirt. Support posts or pendulum supports are required for their use.

⁴ The maximum length of a barrier boom with a skirt and climb-over protection on the Access Pro-H is 4.0 m with hinged support and 4.5 m with support posts.

Boom lighting and customisation

Single lights, light strips and extension sets increase the visual perception of the barrier boom

Extension set for VarioBoom®



- > Increased visibility of the barrier boom and space for information and advertising

Article number	Product description	Access	Access -L	Access Pro	Access Pro-L	Access Pro-H	Access XL2	Access XXL	Parking Pro
EVB35	Extension set for VarioBoom®, blocking width 3.5 m, spacing 100 mm	•	•	•	•				•
EVB50	Extension set for VarioBoom®, blocking width 5.0 m, spacing 100 mm		•		•				•
EVBS01	Inlay for extension set, 750 x 95 mm	•	•	•	•				•
EVB35L	Extension set for VarioBoom®, blocking width 3.5 m, spacing 175 mm	•	•	•	•				•
EVB50L	Extension set for VarioBoom®, blocking width 5.0 m, spacing 175 mm		•		•				•
EVBS01L	Inlay for extension set, 750 x 170 mm	•	•	•	•				•
PS02	Pendulum support for extension set VarioBoom® (> 3.5 m required)	•	•	•	•				•

LED lighting with light strips



- > Increased visibility of the barrier boom using a red light in a closed state, a flashing red light during movement and a green light in an open state

Article number	Product description	Access	Access -L	Access Pro	Access Pro-L	Access Pro-H	Access XL2	Access XXL	Parking Pro
LEDS11B	LED boom lighting bicoloured red/green for blocking width up to 3,5 m ¹	•	•	•	•	•			•
LEDS12B	LED boom lighting bicoloured red/green for blocking width up to 6,0 m ¹		•		•	•			
LEDS13B	LED boom lighting bicoloured red/green for articulated booms	•	•	•	•				•
LEDS61B	LED boom lighting bicoloured red/green for blocking widths up to 6,0 m ¹						•	•	
LEDS60B	LED boom lighting bicoloured red/green for blocking widths > 6.0 m ¹						•	•	
EP13	Boom preparation for using pendulum support with LED stripes red/green	•	•	•	•	•	•	•	•
LEDSVS	Supply unit barrier for LED boom lighting red/green (including mounting plate, cabling, etc., installed)	•	•	•	•	•			•
LEDSXLVS	Supply unit barrier for LED boom lighting red/green (including option set for option set MPOS, cabling, etc., installed)						•	•	

The LED lighting option using light strips (red/green) includes installation onto the barrier boom. Depending on the type of barrier, an LEDSVS or LEDSLVS supply unit is required. This must be ordered separately.

¹ LED lighting using light strips is not possible in combination with standard skirts

LED boom lighting with single lights



- > Increased visibility of the barrier boom using a continuous or flashing red light

Article number	Product description	Access	Access -L	Access Pro	Access Pro-L	Access Pro-H	Access XL2	Access XXL	Parking Pro
LED02	Red LED boom lighting, set of 2 lights (1 lamp on either side) ²	•	•	•	•	•			•
LED04	Red LED boom lighting, set of 4 lights (2 lights on either side) ²	•	•	•	•	•			•
LED06	Red LED boom lighting, set of 6 lights (3 lights on either side) ²	•	•	•	•	•			•
LED10	Red LED boom lighting, set of 10 lights (5 lights on either side) ²		•		•	•			
LEDX02	Red LED boom lighting, set of 2 lights ²						•	•	
LEDX04	Red LED boom lighting, set of 4 lights ²						•	•	
LEDX06	Red LED boom lighting, set of 6 lights ²						•	•	
LEDX10	Red LED boom lighting, set of 10 lights ²						•	•	
LEDVE24	Supply unit 24 V 1.4 A with terminal blocks & cables, required for red boom lighting set if no boom locking set is installed	•	•	•	•	•	•	•	•

LED boom lighting with single lights (continued)

Article number	Product description	Access	Access -L	Access Pro	Access Pro-L	Access Pro-H	Access XL2	Access XXL	Parking Pro
ESBF01	Extension kit blink mode (controlled by control unit)	•	•	•	•	•	•	•	•
MPOS	Option set for mounting plate Access XL2/XXL (required for installation)						•	•	
EP05	Assembly charge for accessories per mounting plate						•	•	

The LED lighting option using single lights includes installation onto the barrier boom. The voltage supply is provided via the LEDVE24 supply unit if no boom locking has been installed. To install the LEDVE24 supply unit and the ESBF01 flashing unit, the optional MPOS set is also required for the Access XL2 and Access XXL barriers. These parts must each be ordered separately.

² LED lighting using single lights is not possible in combination with skirts with climb-over protection.

Boom locking

Electromagnetic locking, boom breakaway flange and boom contacts guarantee safety and availability.

Boom locking



- > Effectively prevent attempts to force open the barriers
- > Automatic locking at the end of the closing process

Article number	Product description	Access	Access -L	Access Pro	Access Pro-L	Access Pro-H	Access XL2	Access XXL	Parking Pro
BV01B	Electro-mechanical boom locking unit (mounted)	•	•	•	•	•			•
BV01S	Supply unit for barrier for boom locking unit (mounted)	•	•	•	•	•			•
BV51XLB	Electro mechanical boom locking unit (mounted) for blocking width up to 6.0 m						•	•	
BV50XLB	Electro mechanical boom locking unit (mounted) for blocking width > 6.0 m						•	•	
BV5XLS	Supply unit, opto coupler, etc. for barrier XL2/XXL for boom locking unit (mounted)						•	•	

Boom breakaway flange and boom contact



- > The breakaway flange means that the boom disengages in the event of a collision and can then be installed again
- > The boom contact triggers an alarm if the barrier boom is released from its holder or dismantled

Article number	Product description	Access	Access -L	Access Pro	Access Pro-L	Access Pro-H	Access XL2	Access XXL	Parking Pro
FLVB02	Flange with boom break-away option (surcharge)								•
BAK01	Boom contact	•	•	•	•	•			•

Safe in every respect

The barriers comply with all legal standards



Barrier boom accessories

Providing legal certainty when operating your barrier systems

The following regulations and directives are valid in Europe for the use of power-operated or motorised barriers: the Building Products Regulation No. 305/2011, if pedestrian traffic cannot be excluded, the Machinery Directive 2006/42/EC, the Low voltage Directive 2014/35/EU, the EMC Directive 2014/30/EU and Directive 2011/65/EU (RoHS Directive).

These regulations and directives specify the minimum level of protection required for making building products and machines available on the market. This also includes barrier systems. In order to comply with these regulations, a declaration of conformity in accordance with the Machinery Directive and EMC Directive must be produced for the barriers before they are made available on the market. If pedestrian traffic cannot be excluded using structural measures, a declaration of performance also has to be produced.

You will automatically receive these documents from us when purchasing a Magnetic barrier. This ensures that you are also on the safe side from a legal perspective. We take on the responsibility for you! A visible sign of conformity with these regulations is the CE Mark that is included on the type plate for the barrier systems.

Save time and money!

As CE conformity for the entire system (for inductive loops, light barriers and scanners from the Magnetic range) has already been verified, you are not required to provide any further documentation after installation to comply with the regulations. Instead, you will receive the following from us:

Declaration of conformity in accordance with the Machinery Directive for the entire system

- ✓ Safe control systems (EN13849)
- ✓ Compliance with all relevant EN standards
- ✓ Protection of people and property
- ✓ EMC tested (electromagnetic compatibility)

Declaration of performance in accordance with the Construction Products Regulation, tested by TÜV Nord

- ✓ Wind load
- ✓ Safe opening
- ✓ Compliance with impact forces

Certificate for USA and Canada

- ✓ According to UL325

Terminals

For controlling cars and trucks



For equipment according to the customer's requirements

In terms of their function and design, the terminals are the optimal supplement for all barriers from Magnetic. They act as a universal platform for customer-specific equipment – whether for intercom systems and video monitoring or complex access and exit control systems. The individual components are made out of aluminium and stainless steel and are thus designed for a long service life. The front consists of a front plate that can be slid out on telescopic rails and a slot-in door. Service technicians thus have easy access to all installed components.



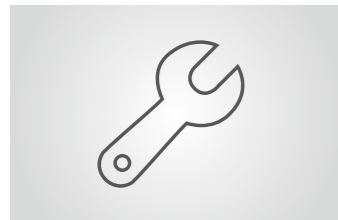
For all vehicle types

The terminals from Magnetic guarantee optimal accessibility from all types of vehicles – whether from compact cars and delivery vehicles or from the driver's cab on an articulated truck. Therefore, they make a significant contribution to allowing the vehicles to pass quickly and easily through the access control system.



Diverse range of control systems

Whether intercom systems, video cameras, card readers, ticket systems or biometric identification systems – the terminals from Magnetic have space for all of the required access control systems.



Easily accessible components

Two easy steps: The front panel on the terminal can be slid out on telescopic rails, while the door is easy to remove. This makes it easier to use and speeds up commissioning and servicing work.



Optimal corrosion protection

The stainless steel base and housing made out of powder-coated aluminium provide ideal protection against corrosion even in the long term.



MS Terminal and MH Terminal

Free-standing housings with a height of 120 cm and a slimline silhouette for holding customer-specific equipment, either with a small (MS) or large (MH) installation space

Application

For controlling cars

[From page 56](#)



ML Terminal

Free-standing housing with a height of 220 cm and a slimline silhouette for holding customer-specific equipment on two separate installation spaces

Application

For controlling cars and delivery vehicles

[From page 56](#)



MXL Terminal

Free-standing housings with a height of 150 cm and an especially wide and deep installation space

Application

For controlling cars and delivery vehicles when multiple control and communication systems are required at one single height

[From page 60](#)



MXXL Terminal

Free-standing housings with a height of 280 cm and an especially wide and deep installation space

Application

For controlling cars, delivery vehicles and articulated trucks when multiple control and communication systems are required next to each other at different heights

[From page 60](#)

Terminal-MS, -MH, -ML

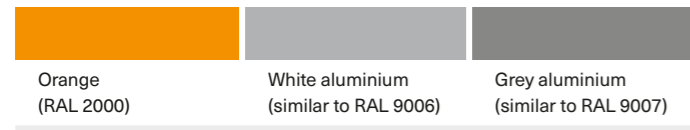
Free-standing housing

- > Universal platform for a wide variety of equipment
- > Shape and colours based on prize-winning design of Access barriers
- > Slide-out front cover for simple commissioning and maintenance
- > Maximum protection against corrosion



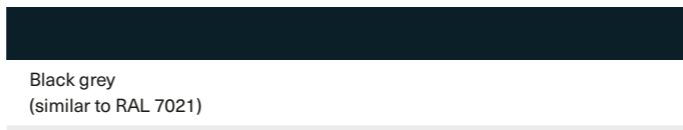
Technical data	Terminal-MS	Terminal-MH	Terminal-ML
Application	Cars	Cars	Cars and trucks
Housing dimensions (W x H x D)	296 x 1202 x 266 mm	296 x 1202 x 266 mm	296 x 2202 x 266 mm
Installation space (W x H)	209 x 337 mm	209 x 487 mm	209 x 337 mm (2 x)
Weight	15 kg	15 kg	27 kg
Front cover design	Slide out on telescopic rails	Slide out on telescopic rails	Slide out on telescopic rails
Housing design	Powder-coated aluminium	Powder-coated aluminium	Powder-coated aluminium
Base design	Stainless steel	Stainless steel	Stainless steel
Enclosure rating	IP54	IP54	IP54

Standard colours, housing



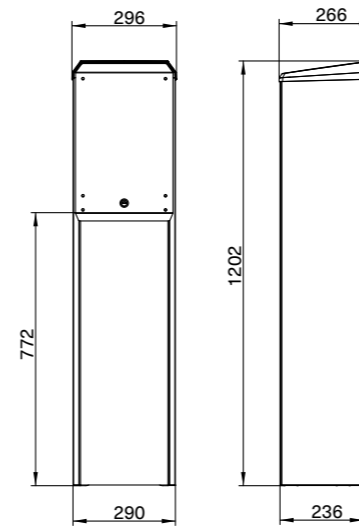
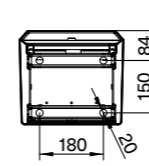
Special colours are also available on request and can be selected from the table of four-digit RAL colours.

Standard colour, front and back

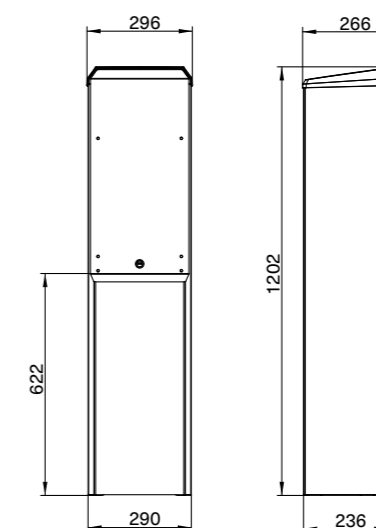


Dimensional drawings

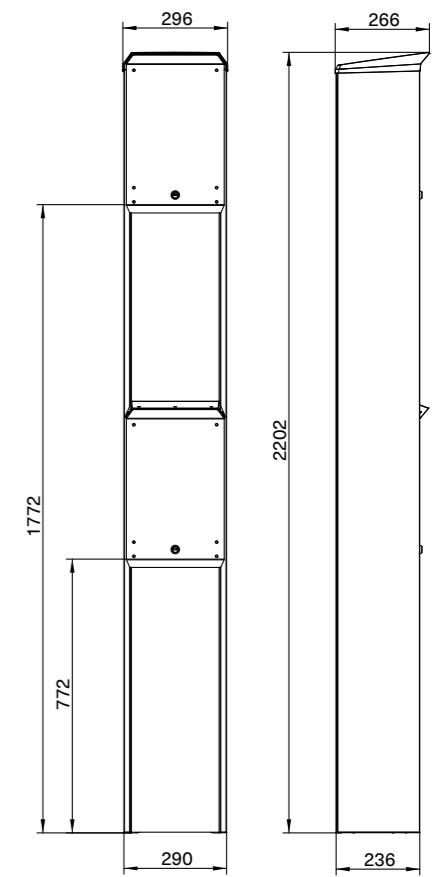
Terminal-MS, -MH and -ML: View from below



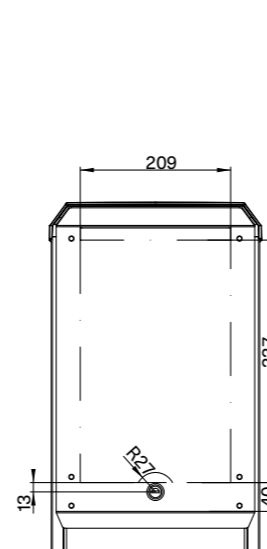
Terminal-MS: Front view and side view



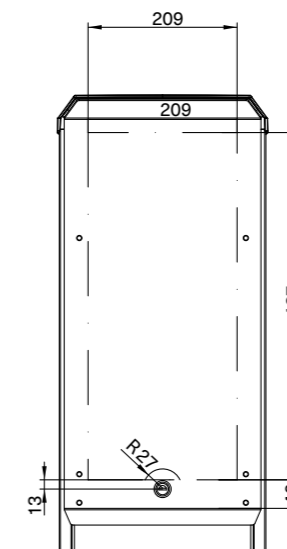
Terminal-MH: Front view and side view



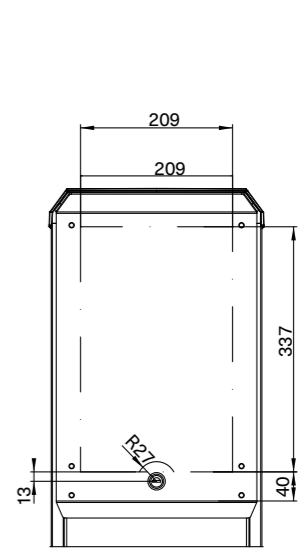
Terminal-ML: Front view and side view



Terminal-MS: Detailed view of front cover



Terminal-MH: Detailed view of front cover



Terminal-ML: Detailed view of front cover

Terminal-MS, -MH, -ML

Free-standing housing



Products in basic configuration	
Article number	Article description
TERMINAL-MS-A000	Terminal-MS, orange
TERMINAL-MS-A100	Terminal-MS, grey aluminium
TERMINAL-MS-A200	Terminal-MS, white aluminium
TERMINAL-MH-A000	Terminal-MH, orange
TERMINAL-MH-A100	Terminal-MH, grey aluminium
TERMINAL-MH-A200	Terminal-MH, white aluminium
TERMINAL-ML-A000	Terminal-ML, orange
TERMINAL-ML-A100	Terminal-ML, grey aluminium
TERMINAL-ML-A200	Terminal-ML, white aluminium
BSS01	Anchor set for barrier/terminal

Special colours for Terminal-MS, -MH, -ML	
Article number	Article description
SL21	Side panels and top cover in the same colour, front and back panels in black grey (similar to RAL 7021) ¹
SL22	Side panels, top cover, front and back panels in the same colour (extensible front panels black grey, similar RAL 7021) ¹
SL23	Side panels and top cover in the same colour, front and back panels in another selectable colour (extensible front panels black grey, similar RAL 7021) ¹
SL24	Side panels, top cover and doors in different colours (extensible front panels black grey, similar RAL 7021) ¹

Options and accessories for Terminal-MS, -MH, -ML

Article number	Article description
Mechanical token validator and accessories	
CMP01-25	Token validator for tokens with a diameter of 25 mm, with groove (CMZ01-25)
CMP01-27	Token validator for tokens with a diameter of 27 mm, with groove (CMZ01-27)
CMP01-28	Token validator for tokens with a diameter of 28 mm, with hole (CMZ01-28)
CMP01-BS	Installation kit set for token validators for Terminal-MS, -MH, -ML ²

Tokens	
CMZ012550	Token, diameter 25 mm, with groove (50 pieces)
CMZ012750	Token, diameter 27 mm, with groove (50 pieces)
CMZ012850	Token, diameter 28 mm, with hole (50 pieces)

Electronic coin validators and accessories	
EMP01	Electronic coin acceptor for the installation on Terminal-MS, -MH or the lower panel of Terminal-ML (cars only) ^{3,4}
EMP02	Electronic coin acceptor for the installation on the upper panel of Terminal-ML (lorries only) ^{3,4}
EMP03	Electronic coin acceptors for the installation on the upper and lower panel of Terminal ML (cars and lorries) ^{3,5}

Access control unit and accessories	
ZKE01	Access control unit for proximity cards and transponders with key ring ^{6,7}
ZKK0110	Proximity card, ISO-format (10 pieces)
ZKA0110	Transponder with key ring (10 pieces)
MP20	Mounting plate for 230 V connection ⁹
VE24	Power supply 24 V/0.42 A 10W, with connection cables ⁹

Keypad	
CT01	Keypad, IP65 ^{6,10}
MP20	Mounting plate with 230 V connection for installation of electrical accessories ⁹
VE24	Power supply 24 V/0.42 A 10W, with connection cables ⁹

¹ The powder coating with special colours will be provided with coarse structure in a silk glossy powder coating. Colour shades can be selected from the four digit RAL code range. The desired RAL colour has to be specified on the purchase order.

² With collecting bin. Includes cut-out for front panel and assembly. Wiring is included when ordering mounting plate MP20.

³ The coin validators can be operated in a temperature range between -20 up to +70 °C. Therefore it is not necessary to use any heating system with outdoor applications under a roof. If the installation is without roof, we recommend to install a heating system HZ01, in order to avoid that the slot for inserting the coins will freeze. For temperatures below -20°C, a heating system is generally required.

⁴ Coin validator, display unit, power supply and relay unit, mounting plate MP20.

⁵ Two coin validators, two display units, one power supply and relay unit and mounting plate MP20.

Article number	Article description
Switches	
SS21	Key switch locked open/momentary close ¹¹
SS22	Key-operated momentary switch open/close ¹¹
PHZE01	Individual key cylinder with 3 keys
PHZG01	Keyed alike cylinder with 3 keys
EP21	Assembly charge key switch per front panel

Other accessories	
HZ01	Heater 230V/550W, installation kit ⁹
HSS20	2-pole main switch ⁹
MP20	Mounting plate with 230V connection for installation of electrical accessories ⁹
EP20	Assembly charge for accessories per mounting plate

Charges for installation of devices supplied by the customer

EP22	Non-recurring creation of milling program for processing of front panel according to customers parameters ¹²
EP23	Cut-out according to milling program ¹³
EP24	Installation of customer supplied components on front panel ¹⁴

Spare parts

A comprehensive digital list of spare parts for Terminals is available. If necessary, please request this via e-mail to cs@ac-magnetic.com

⁶ Including wiring, if mounting plate MP20 and, if applicable, power supply unit VE24 are also ordered.

⁷ Without power supply. Terminal blocks and cable included. Installation included.

⁸ Including terminal blocks, strain relief, DIN-rails and cable ducts. Mounting plate is delivered already installed.

⁹ Installation only possible in combination with mounting plate MP20. This must be order ed separately.

¹⁰ Up to 8 digit code programmable. Assembly included.

¹¹ Including terminal blocks and connection cable, prepared for key cylinder.

¹² Only required for customer supplied components.

¹³ Per front panel. Has to be ordered 2x for Terminal-ML. Only required for on-site components.

¹⁴ Without wiring and testing. Assembly charge is per front panel.

Terminal-MXL, -MXXL

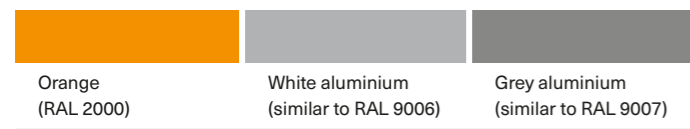
Free-standing housing

- > Universal platform for a wide variety of equipment
- > Large installation dimensions for customer-specific control systems
- > Shape and colours based on prize-winning design of Access barriers
- > Slide-out front cover for simple commissioning and maintenance
- > Maximum protection against corrosion



Technical data	Terminal-MXL	Terminal-MXXL
Application	Cars	Cars and trucks
Housing dimensions (W x H x D)	497 x 1495 x 367 mm	497 x 2795 x 367 mm
Installation space (W x H)	310 x 705 mm	310 x 1240 mm and 310 x 705 mm
Weight	56 kg	92 kg
Front cover design	Slide out on telescopic rails	Slide out on telescopic rails
Housing design	Powder-coated aluminium	Powder-coated aluminium
Base design	Stainless steel	Stainless steel
Enclosure rating	IP54	IP54

Standard colours, housing



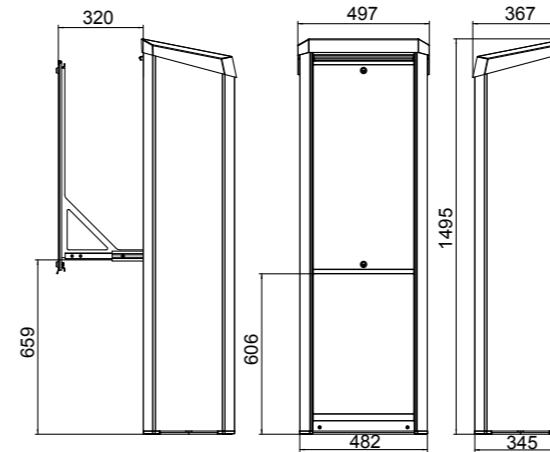
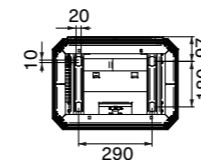
Special colours are also available on request and can be selected from the table of four-digit RAL colours.

Standard colour, front and back

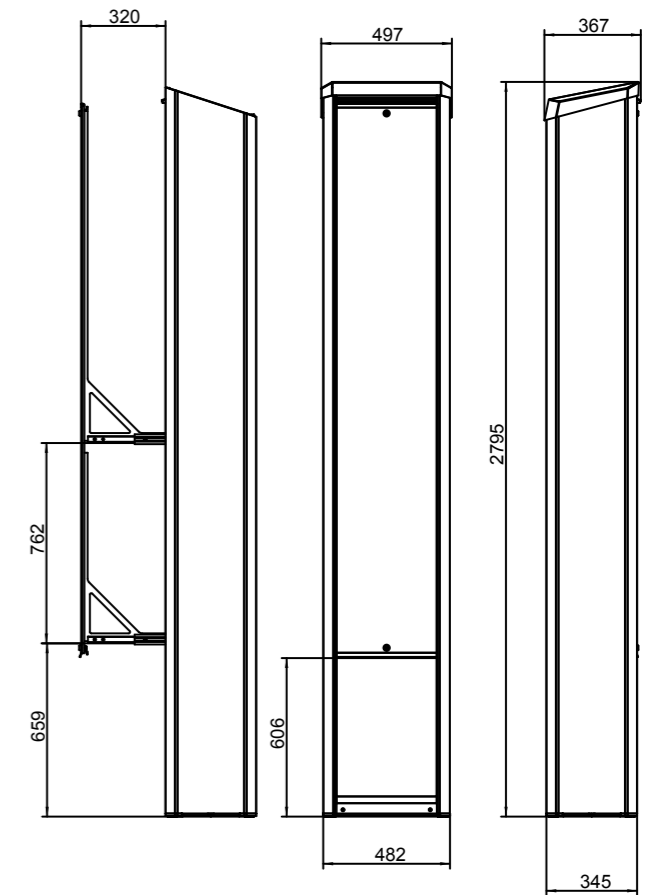


Dimensional drawings

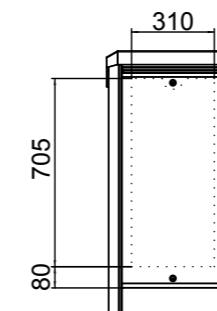
Terminal-MXL and -MXXL: View from below



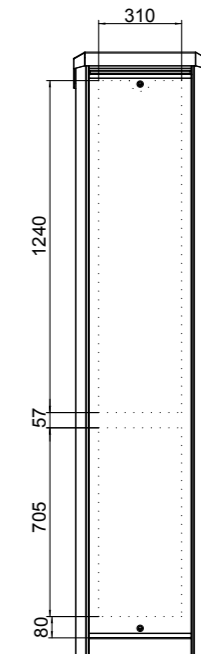
Terminal-MXL
Side view with fully extended front panel, from the front and from the opposite side



Terminal-MXXL
Side view with fully extended front panel, from the front and from the opposite side.



Terminal-MXL
Detailed view of front panel.



Terminal-MXXL
Detailed view of front panel.

The terminal front panel areas indicated with dotted lines can be equipped as desired. The spaces between the dotted lines and the solid lines are not available for installation purposes.

Terminal-MXL, -MXXL

Free-standing housing



Products in basic configuration	
Article number	Article description
TERMINAL-MXL-A000	Terminal-MXL, orange
TERMINAL-MXL-A100	Terminal-MXL, grey aluminium
TERMINAL-MXL-A200	Terminal-MXL, white aluminium
TERMINAL-MXXL-A000	Terminal-MXXL, orange
TERMINAL-MXXL-A100	Terminal-MXXL, grey aluminium
TERMINAL-MXXL-A200	Terminal-MXXL, white aluminium
BSS01	Anchor set for barrier/terminal

Special colours for Terminal-MXL, -MXXL	
Article number	Article description
SL21	Side panels and top cover in the same colour, front and back panels in black grey (similar to RAL 7021) ¹
SL22	Side panels, top cover, front and back panels in the same colour (extensible front panels black grey, similar RAL 7021) ¹
SL23	Side panels and top cover in the same colour, front and back panels in another selectable colour (extensible front panels black grey, similar RAL 7021) ¹
SL24	Side panels, top cover and doors in different colours (extensible front panels black grey, similar RAL 7021) ¹

Options and accessories for Terminal-MXL, -MXXL

Article number	Article description
Mechanical token validator and accessories	
CMP01-25	Token validator for tokens with a diameter of 25 mm, with groove (CMZ01-25)
CMP01-27	Token validator for tokens with a diameter of 27 mm, with groove (CMZ01-27)
CMP01-28	Token validator for tokens with a diameter of 28 mm, with hole (CMZ01-28)
CMP01-BS02	Installation kit set for token validators for Terminal-MXL, -MXXL ²
ZB03	Intermediate floor for Terminal-MXL, -MXXL
Tokens	
CMZ012550	Token, diameter 25 mm, with groove (50 pieces)
CMZ012750	Token, diameter 27 mm, with groove (50 pieces)
CMZ012850	Token, diameter 28 mm, with hole (50 pieces)
Electronic coin validators and accessories	
EMP04	Electronic coin acceptor for the installation on Terminal-MS, -MH or the lower panel of Terminal-ML (cars only) ^{3,4}
EMP05	Electronic coin acceptor for the installation on the upper panel of Terminal-ML (lorries only) ^{3,4}
EMP06	Electronic coin acceptors for the installation on the upper and lower panel of Terminal ML (cars and lorries) ^{3,5}
ZB03	Intermediate floor for Terminal-MXL, -MXXL
Access control unit and accessories	
ZKE01	Access control unit for proximity cards and transponders with key ring ^{6,7}
ZKK0110	Proximity card, ISO-format (10 pieces)
ZKA0110	Transponder with key ring (10 pieces)
MP20	Mounting plate for 230 V connection ⁸
MP_EIN	An installation kit is required for the MXL and MXXL terminals and must be ordered separately. Otherwise installation is not possible. It is also possible to install 2 MP20 mounting plates in the MXXL terminal. A mounting kit MP_EIN is required for each. ¹⁵
VE24	Power supply 24V/0.42 A 10W, with connection cables ⁹

- ¹ The powder coating with special colours will be provided with coarse structure in a silk glossy powder coating. Colour shades can be selected from the four digit RAL code range. The desired RAL colour has to be specified on the purchase order.
- ² With collecting bin. Includes cut-out for front panel and assembly. Wiring is included when ordering mounting plate MP20.
- ³ The coin validators can be operated in a temperature range between -20 up to +70 °C. Therefore it is not necessary to use any heating system with outdoor applications under a roof. If the installation is without roof, we recommend to install a heating system HZ01, in order to avoid that the slot for inserting the coins will freeze. For temperatures below -20°C, a heating system is generally required.
- ⁴ Coin validator, display unit, power supply and relay unit, mounting plate MP20.
- ⁵ Two coin validators, two display units, one power supply and relay unit and mounting plate MP20.

Article number	Article description
Keypad	
CT01	Keypad, IP65 ^{6,10}
MP20	Mounting plate with 230V connection for installation of electrical accessories ⁸
MP_EIN	An installation kit is required for the MXL and MXXL terminals and must be ordered separately. Otherwise installation is not possible. It is also possible to install 2 MP20 mounting plates in the MXXL terminal. A mounting kit MP_EIN is required for each. ¹⁵
VE24	Power supply 24V/0.42 A 10W, with connection cables ⁹
Switches	
SS21	Key switch locked open/momentary close ¹¹
SS22	Key-operated momentary switch open/close ¹¹
PHZE01	Individual key cylinder with 3 keys
PHZG01	Keyed alike cylinder with 3 keys
EP21	Assembly charge key switch per front panel
Other accessories	
HZ01	Heater 230V/550W, installation kit ⁹
HSS20	2-pole main switch ⁹
MP20	Mounting plate with 230V connection for installation of electrical accessories ⁸
MP_EIN	An installation kit is required for the MXL and MXXL terminals and must be ordered separately. Otherwise installation is not possible. It is also possible to install 2 MP20 mounting plates in the MXXL terminal. A mounting kit MP_EIN is required for each. ¹⁵
EP20	Assembly charge for accessories per mounting plate
Charges for installation of devices supplied by the customer	
EP22	Non-recurring creation of milling program for processing of front panel according to customers parameter ¹²
EP23	Cut-out according to milling program ¹³
EP24	Installation of customer supplied components on front panel ¹⁴

Spare parts

A comprehensive digital list of spare parts for Terminals is available. If necessary, please request this via e-mail to cs@ac-magnetic.com

- ⁶ Including wiring, if mounting plate MP20 and, if applicable, power supply unit VE24 are also ordered.
- ⁷ Without power supply. Terminal blocks and cable included. Installation included.
- ⁸ Including terminal blocks, strain relief, DIN-rails and cable ducts. Mounting plate is delivered already installed.
- ⁹ Installation only possible in combination with mounting plate MP20. This must be ordered separately.
- ¹⁰ Up to 8 digit code programmable. Assembly included.
- ¹¹ Including terminal blocks and connection cable, prepared for key cylinder.
- ¹² Only required for customer supplied components.
- ¹³ Per front panel. Has to be ordered 3x for Terminal-MXXL. Only required for on-site components.
- ¹⁴ Without wiring and testing. Assembly charge is per front panel.
- ¹⁵ When installing a second MP20 mounting plate in the upper area of the terminal, there must be no collisions with installations in the front panel.

FlowMotion®

Your Access to Revolution



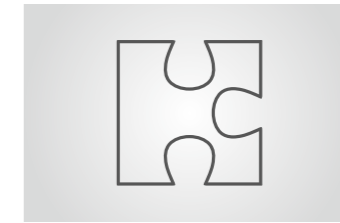
Pedestrian barriers as an integral component of the architecture

Magnetic has revolutionised the world of pedestrian barriers and reinterpreted security in buildings with the FlowMotion® model series. Thanks to its unique design, flowing lines and range of colour variants, FlowMotion® pedestrian barriers fit seamlessly into challenging architecture. The warm, pleasant feel of the new material mDure® gives visitors a friendly welcome.



Award-winning design

All FlowMotion® access controls have a uniform design. The slimline form blends harmoniously into challenging architecture and the inviting design improves user acceptance. In 2018, the mTripod turnstile was awarded the German Design Award by a discerning jury.



Individual colours

Seamless integration into various different architectures – Magnetic designed FlowMotion® with this goal in mind. This means not only focussing on the design but also the colour of the housing. Therefore, we offer all of the pedestrian barriers in our model series in a range of different colour tones and effect coatings. FlowMotion® entrance areas can thus be transformed into brand worlds.



Systematic access controls

The turnstile, swing and wing barriers in the FlowMotion® model series protect companies, public authorities and cultural institutions against unauthorised access. Thanks to the uniform design of FlowMotion®, all of the product can be individually combined in a particularly easy way. Numerous options and accessories make FlowMotion® a perfectly coordinated access control system.



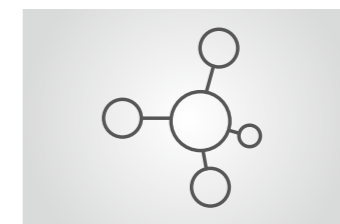
Proven drive and control technology

The interior of the FlowMotion® series is based on the reliable drive and control technology that is also used in the barriers and gates from Magnetic: The MGC control unit provides direct access to all functions, parameters and information, as well as to the proven MHTM™ drive unit that enables pedestrians to pass through in a particularly comfortable way thanks to its highly responsive sensor technology. It is maintenance-free, energy efficient, quiet and designed for 10 million cycles.



Instinctively accepted by users

Rather than handling security in buildings so that it appears that the control mechanisms have been artificially imposed on the building, the FlowMotion® series uses modern interfaces, a pleasant feel and an intuitive throughput process so that it integrates seamlessly into the overall building system. This significantly increases acceptance of the systematic and automatic access controls by users.

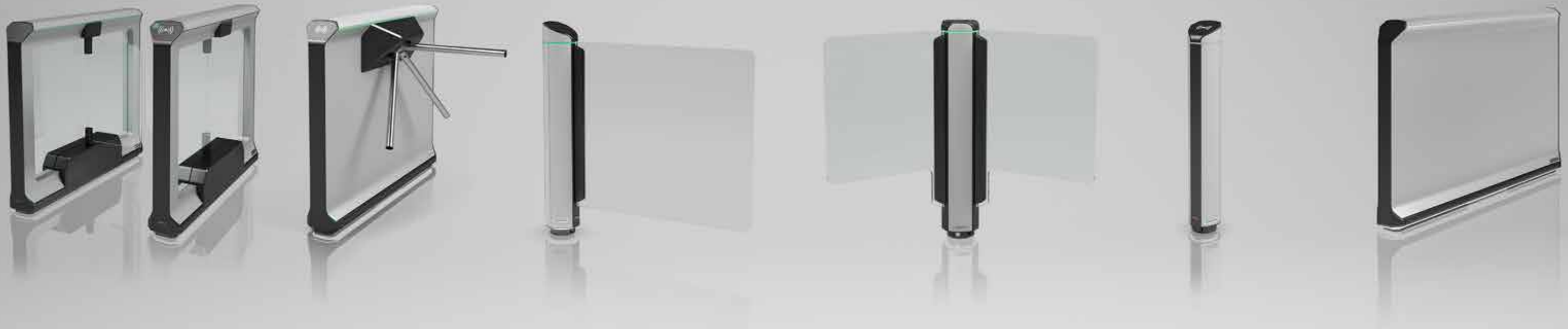


Customised material

The 2-component material mDure® is created using a chemical reaction directly in the mould, which allows exceptional design freedom. The material is not only particularly resistant to knocks, scratches and abrasion but is also flame-retardant and free of solvents, softening agents and toxic substances. This makes it just as suitable for outdoor areas as for indoor spaces.

A large family

The FlowMotion® range of models



mWing

The elegant one: an open housing, short opening times and flowing non-contact passage – no access solution is safer and more elegant than mWing.

Barrier technology

Pedestrian passageway with wing gates

Opening and closing speed

High

Security level

Medium to high (depending on the barrier element)

From page 68

mTripod / mTripod short

The comfortable one: its smooth drive and sensitive impact detection make passage through the mTripod and mTripod short particularly simple and comfortable.

Barrier technology

Turnstile

Opening and closing speed

Medium

Security level

Low

From page 74

mSwing

The versatile one: you not only design optically appealing entrances with the mSwing swing door, it is also our specialist for wheelchair-friendly access and safe escape routes.

Barrier technology

Swing door

Opening and closing speed

Low

Security level

Low

From page 80

mTwing

The welcoming solution: Half-height turnstile with transparent barrier and railing elements for an unrestricted view into the building.

Barrier technology

Half-height turnstile

Opening and closing speed

Low

Security level

Low

From page 84

mPost

The matching one: The mPost control column offers the right design if with mSwing and mTwing an additional access control is required.

From page 88

mGuide

The final one: If the room is wider than the passageway, the guiding elements from mGuide come into play. They reliably guide visitors to and through the barrier.

From page 92

mWing

Pedestrian passageway with wing gates

- > High visitor throughput thanks to rapid opening times and preset travel function
- > Open-gate mode for extra throughput acceleration
- > For maximum security requirements in monitored and unmonitored areas
- > Low impact forces for maximum personal safety
- > Freely turning on power outages
- > Designed for 10 million opening and closing cycles
- > Escape and rescue route approval



Technical data	mWing
Application	Indoor and outdoor
Passage width	Standard: 600 mm Wide Lane: 900 mm (more on request)
Height of barrier elements	Standard: 888 mm High: 1800 mm (more on request)
Opening/closing time	0.6 – 1 s, depending on barrier element dimensions
Throughput (number of persons per min.) ¹	approx. 40
Drive technology	MHTM™
Control system	MGC Plus
Voltage	100–240 V AC, 50–60 Hz
Power consumption	Maximum 45 W
Duty cycle	100%
Housing material	mDure®
Housing dimensions (L x W x B)	1300 x 1050 x 180 mm
Enclosure rating	IP54
Weight	About 120 kg per module
Temperature range	-30 to +55 °C

¹ Depending on reader, product configuration, person behaviour

Features	
Direction of passage	Uni- or bi-directional
Emergency release	On power outage or closing of alarm contacts
Random generator	Integrated in control system
Throughput data acquisition and event log	Integrated in control system
Control system inputs and outputs	8 digital inputs, 4 digital outputs, and 6 relay outputs
Escape route approval	

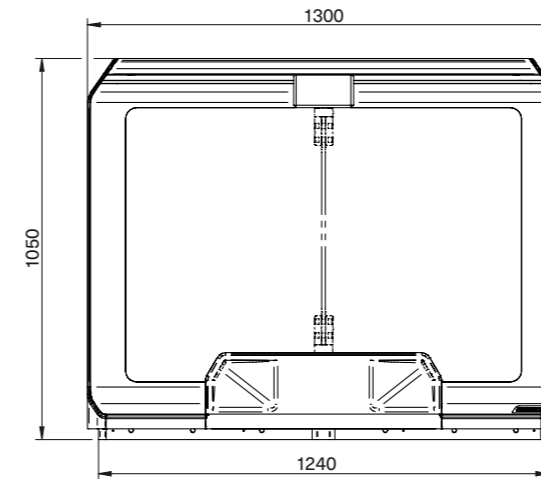
Standard colours	
	White aluminium (similar to RAL 9006)
	Jet black (similar to RAL 9005)

An overview of all special colours and effect coatings is available on page 96.

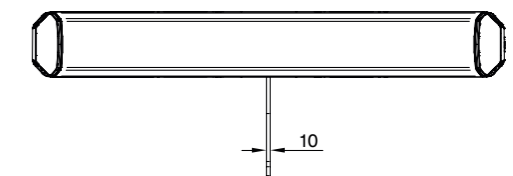
Potential applications

Dimensional drawings

mWing – side view



mWing – top view (1 module)

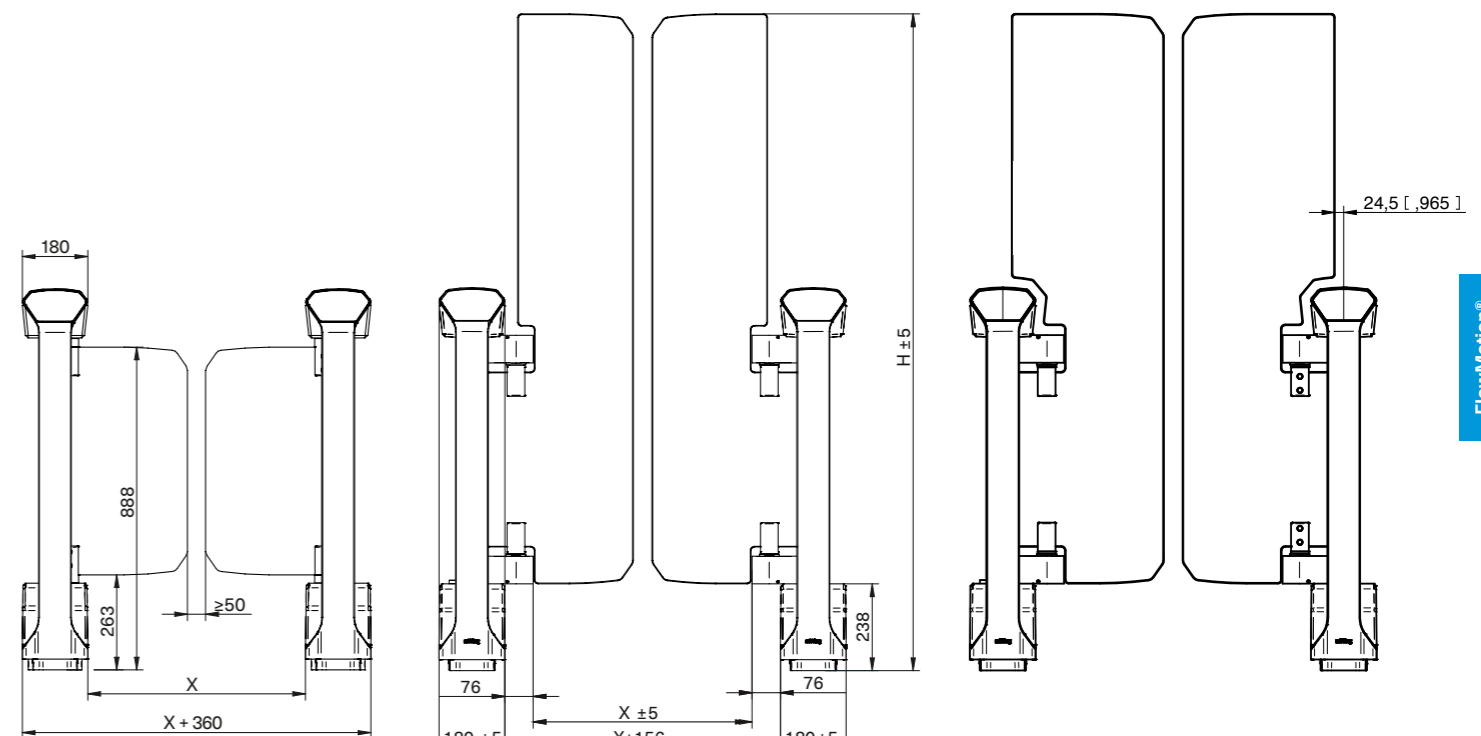


Name	Passage width			
	X [mm]	H1 [mm]	H2 [mm]	H3 [mm]
Narrow	520	1200	1500	1800
Standard	600	1200	1500	1800
Wide	900	1200	1500	1800
Extra wide	960	1200	1500	1800

mWing – front view

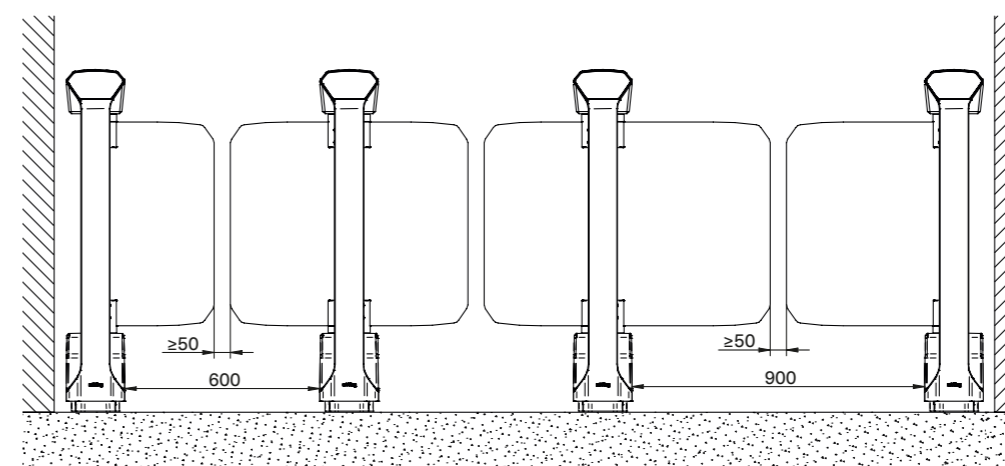
mWing – front view with high glass panels

mWing – front view with high glass panels and climb-over protection

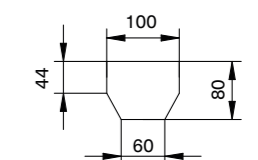


Dimension X applies to normal and high doors, H1 to H3 only apply to high doors.

Line configuration of mWing with passage in standard width and with wide passageway



Mounting space for reader devices (without optional passage indicator, mounting depth 40 mm)



Subject to technical modifications.

mWing

Pedestrian passageway with wing gates



mWing in basic configuration	
Article number	Product description
FMWI_AL	Pedestrian gate with swing doors FlowMotion® mWing, A-module, secondary
FMWI_BL	Pedestrian gate with swing doors FlowMotion® mWing, B-module, primary
FMWI_CL	Pedestrian gate with swing doors FlowMotion® mWing, C-module, center

Special colour	
Article number	Product description
SL100	Special colour for side panels, other elements in jet black

Glass panel	
Article number	Product description
FMWI_G10E520	Glass panel XS (1 piece), 888 x 520 mm (height x passage width)
FMWI_G10E600	Glass panel standard width (1 piece), 888 x 600 mm (height x passage width)
FMWI_G10E900	Glass panel wide lane (1 piece), 888 x 900 mm (height x passage width)
FMWI_G10E960	Glass panel XXL (1 piece), 888 x 960 mm (height x passage width)
FMWI_G18E520	Glass panel full-height XS (1 piece), 1800 x 520 mm (height x passage width), requires EHWI102
FMWI_G18E600	Glass panel full-height standard width (1 piece), 1800 x 600 mm (height x passage width), requires EHWI102
FMWI_G18E900	Glass panel full-height wide lane (1 piece), 1800 x 900 mm (height x passage width), requires EHWI102
FMWI_G18E960	Glass panel full-height XXL (1 piece), 1800 x 960 mm (height x passage width), requires EHWI102
FMWI_GESPC	Glass panel with special dimensions (1 piece), max. 1800 x 960 mm (height x passage width), requires EHWI102 for H > 888 mm

Glass panel	
Article number	Product description
FMWI_G18E520S	Glass panel with anti-climb protection (1 piece), 1800 x 520 mm (height x passage width), requires EHWI102
FMWI_G18E600S	Glass panel with anti-climb protection (1 piece), 1800 x 600 mm (height x passage width), requires EHWI102
FMWI_G18E900S	Glass panel with anti-climb protection (1 piece), 1800 x 900 mm (height x passage width), requires EHWI102
FMWI_G18E960S	Glass panel with anti-climb protection (1 piece), 1800 x 960 mm (height x passage width), requires EHWI102
EHWI102	Extension kit for high wings > 888 mm (surcharge per wing)

Front plates	
Article number	Product description
FP104	Front plate with white RFID symbol (1 piece)
FP105	Front plate with cut out for NT104, HUL100 required (1 piece)
HUL100	Holder for wall sockets (d = 60 mm), bulk delivery (2 pieces, metal)
EP113	Mounting charge for accessories (once per option)

Push-button	
Article number	Product description
DT100	Illuminated push-button for release of passage by keystroke (per module and passage direction), plus optional mounting charge EP113
EP113	Mounting charge for accessories (once per option)

Holder for external devices support	
Article number	Product description
For retrofit	
LHAF100	Supporting flange for the gate
LHAR100	Fastening tube adjustable 115–135 mm for reader device
LHAF100	Mounting kit inner bracket

Factory assembly	
LHAR100	Fastening tube adjustable 115–135 mm for reader device, plus EP113
EP113	Mounting charge for accessories (once per option)

Accessory for reader device	
LHAP100	Standard top mounting for reader device
LHAS100	Plug set for reader bracket (5 pieces)

Coin Validator	
Article number	Product description
AUG200	Body housing empty
AUG201	Body housing coin validator mechanical
AUG203	Body housing coin validator mechanical for 0,50 Euro
CMZ012750	Token, diameter 27 mm, with groove (50 pieces), for AUG201

Illumination	
Article number	Product description
DLED100	Signal LED for indication of random generator trigger red/green (1 piece), function has to be indicated at order, no power supply unit needed
GEDEXT100	External passage indicator, signal LED for GED extension red/green (1 piece), no power supply unit needed
RLED102	Frame edge illumination red/green, per lane, plus EP110 once each for AL/BL and 2 x for CL, power supply unit VE107 needed
BOLED102	Floor illumination white, mWing, per module, plus EP110, power supply unit VE107 needed
VE107	Power supply unit mWing, one VE107 can supply all electric options (per passage)
EP110	Extra charge for installation of illumination (once per option)

Sensors/buzzers, no VE107 required	
Article number	Product description
ESU102	Internal buzzer, puls signal/ continuous signal, plus EP113
EP113	Mounting charge for accessories (once per option)

Emergency push button	
Article number	Product description
NT102	Emergency push button, without cables 230 V AC/24 V DC incl. type examination certificate (TÜV) for escape and rescue route approval mWing and mSwing (not for mTwing)
NT104	Emergency push button for flush-mounted installation, without cables 230 V AC/24 V DC incl. type examination certificate (TÜV) for escape and rescue route approval mWing and mSwing (not for mTwing) If installed, front plate FP105, mounting frame HUL100 and EP113 required.

External desk panel	
Article number	Product description
PULT01	Desk panel 1 channel for the control of 1 device
PULT02	Desk panel 2 channel for the control of 2 devices

Foundation options	
Article number	Product description
ARS100	Metal drilling and alignment device for FlowMotion®, (mTripod ML/MS, mWing)
Variant 1: direct mounting	
BSS100	Mounting set for installation on finished floor surface
Variant 2a: Assembly on unfinished concrete floor	
FURA100	Foundation frame FlowMotion® long (ML), bridging structure for assembly under heating/floor screed and glue solution
BSSFURA100	Threads and metal base plate

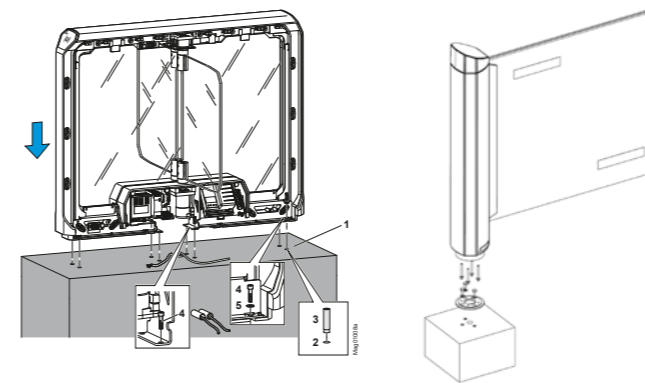
Variant 3: glue based fixing	
FURA100	Foundation frame FlowMotion® long (ML), bridging structure for floor heating/floor screed and glue solution
BSSKL100	Glue cartridge FlowMotion® for fixing of FURA100/101 to a finished floor surface
Variant 4: paving stone assembly	
FURA102	Foundation frame FlowMotion® long (ML), for usage with paving stones, height = 150 mm
BSS100	Mounting set for installation on finished floor surface
Variant 5: platform	
FMMS_WI	Platform stainless steel, mWing for passage width up to 550 mm, 1 passage
FMMS_WIW	Platform stainless steel, mWing for for passage width up to 900 mm, 1 passage

Base frames for the FlowMotion® series

Mounting system for all surfaces

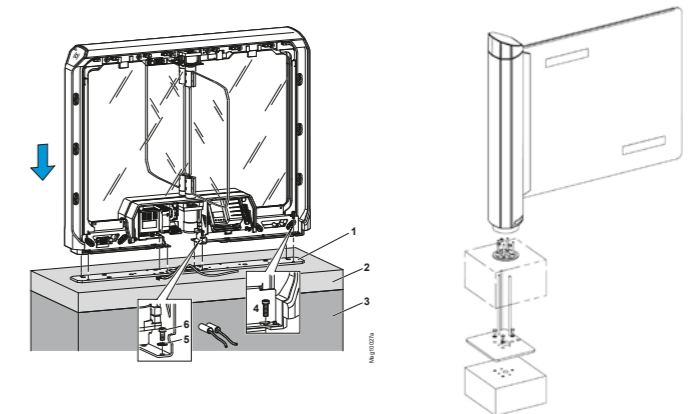
Directly screwed, glued to the floor, mounted with sub-structures for finished flooring, and mounted outdoors: Magnetic offers the appropriate base frame and fixing solution for common floor or installation situations. The various possibilities for installing mWing, mTripod and mGuide are shown here using our mWing as an example, while the mounting of mSwing, mTwing and mPost is represented using the example of mSwing. All other details about the mounting possibilities for your specific implementation can be found in the operating instructions for the particular product or as documentation in the download centre.

Variant 1: Mounting with compound anchor directly on the surface



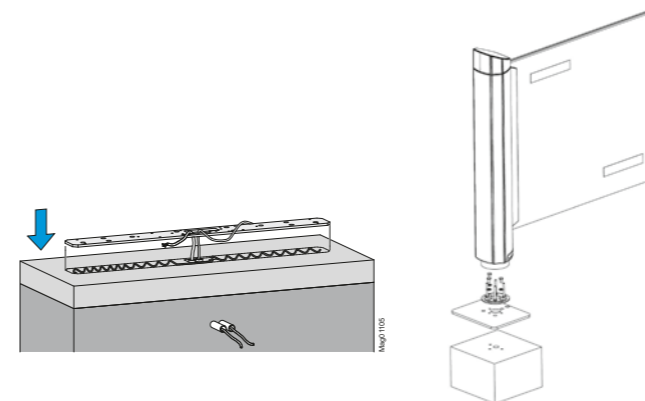
- > Ideal for concrete floors
- > Typically for indoor use

Variant 2: Mounting with base plate, threaded bolt and base frame



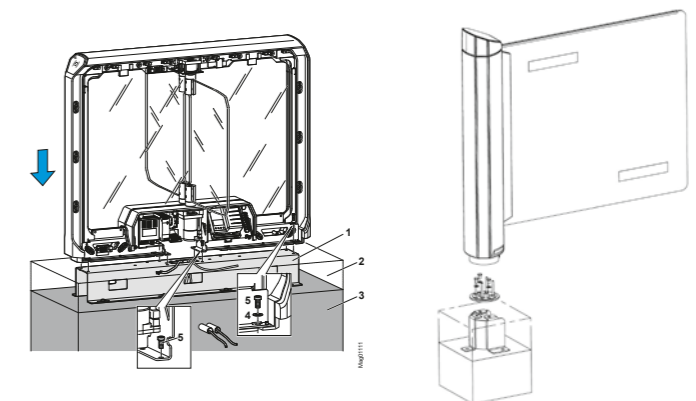
- > Ideal for finished floors of undefined height
- > Base frames and threaded bolts must be set in concrete
- > Typically for indoor use

Variant 3: Mounting with base plate glued directly to the floor



- > Ideal for smooth finished floors, such as tiles or marble
- > Not suitable for porous floors, such as concrete
- > Typically for indoor use

Variant 4: Mounting indirectly with base frame on the surface



- > Ideal in combination with paving stones and other outdoor surfaces
- > Requires a concrete surface for screw fittings
- > Typically for outdoor use

mTripod

Three-arm turnstile

- > Revolutionary design, won German Design Award 2018
- > Extensive functions and intuitive operation
- > Drop-arm mechanism (optional) permits passage during power outages or alarms
- > Ethernet plug-in module for IP connection (optional)
- > Designed for more than 10 million opening and closing cycles



Technical data	mTripod	mTripod short
Housing variants	Long	Short
Application	Indoor and outdoor	Indoor and outdoor
Passage width	515 mm	515 mm
Throughput (number of persons per min.) ¹	approx. 20	approx. 20
Drive technology	MHTM™	MHTM™
Control system	MGC	MGC
Voltage	100–240 V AC, 50–60 Hz	100–240 V AC, 50–60 Hz
Power consumption	Typical 30 W	Typical 30 W
Duty cycle	100%	100%
Housing material	mDure®	mDure®
Housing dimensions (L x W x H) mm	1300 x 290 x 1050	730 x 290 x 1050
Enclosure rating	IP54	IP54
Weight	About 70 kg	About 57 kg
Temperature range	–30 to +55 °C	–30 to +55 °C

¹ Depending on reader, product configuration, person behaviour

Features	
Direction of passage	Uni- or bi-directional
Emergency release	On power outage or closing of alarm contacts
Random generator	Integrated in control system
Throughput data acquisition and event log	Integrated in control system
Control system inputs and outputs	8 digital inputs, 4 digital outputs, and 6 relay outputs

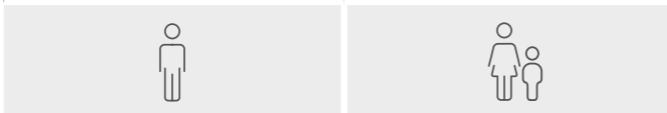
Standard colours



White aluminium (similar to RAL 9006) Jet black (similar to RAL 9005)

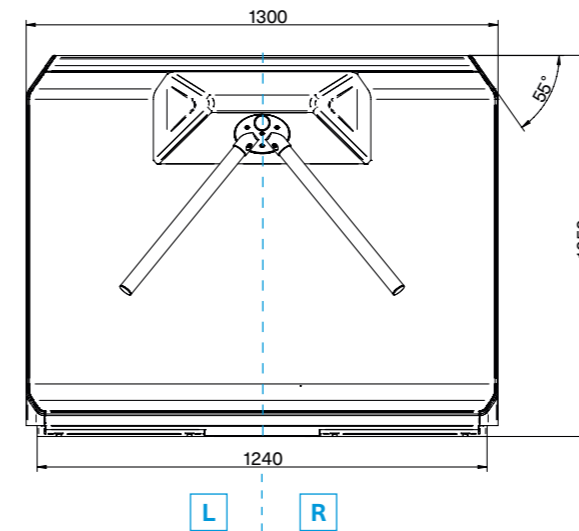
An overview of all special colours and effect coatings is available on page 96.

Potential applications

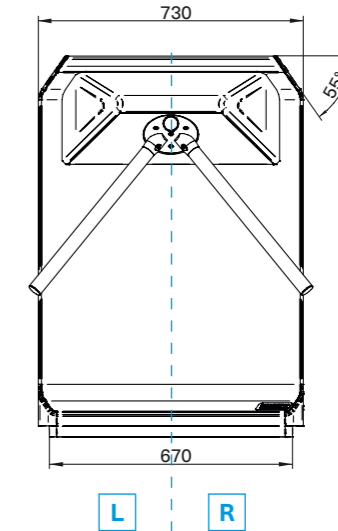


Dimensional drawings

mTripod – side view

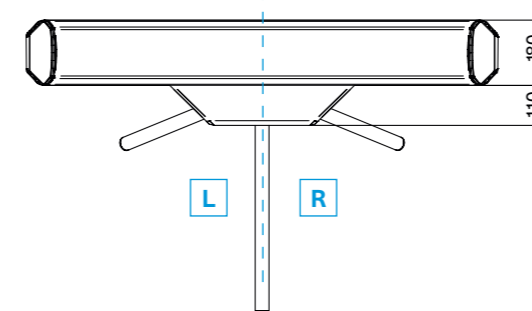


mTripod short – side view

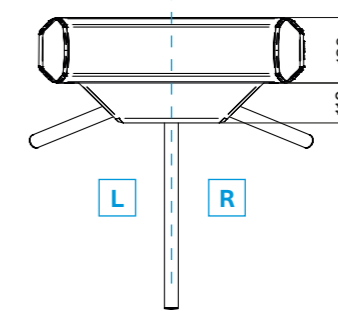


You can obtain options as left **L** or right **R** versions. If you look at the mTripod from the tip of the turnstile bar the option is on the left with the left version and on the right with the right version.

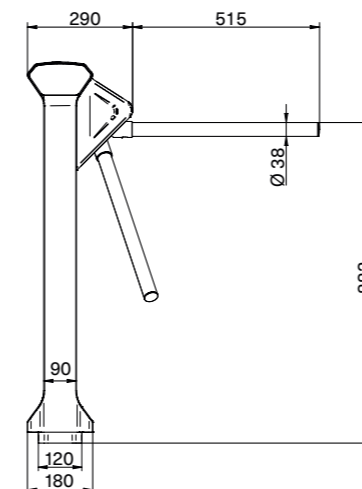
mTripod – top view



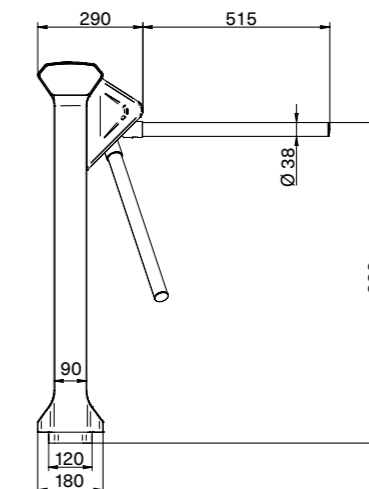
mTripod short – top view



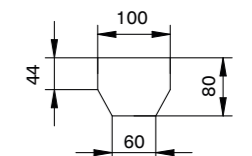
mTripod – front view



mTripod short – front view



Mounting space for reading devices for mTripod and mTripod short (without passage indicator, mounting depth 40 mm)



mTripod

Three-arm turnstile



mTripod in basic configuration

Article number	Product description
FMTM_ML	FlowMotion® mTripod long version
FMTM_MS	FlowMotion® mTripod short version

Special colour

Article number	Product description
SL100	Special colour for side panels, other elements in jet black

Arms	
Article number	Product description
CS100 MP	Additional charge for carbon arms for one mTripod (3 pieces)

Droparm/locking unit, only once per mTripod needed

Article number	Product description
DA100	Drop-arm mTripod, assembled, no EP required
VERH100	Mechanical end-position locking, +/- 5 degrees range of motion, assembled, no EP required

Front plates

Article number	Product description
FP104	Front plate with white RFID symbol (1 piece)
HUL100	Holder for wall sockets (d = 60 mm), bulk delivery (2 pieces, metal)

Push-button

Article number	Product description
DT100	Illuminated push-button for release of passage by keystroke (per module and passage direction), plus optional EP113
EP113	Mounting charge for accessories (once per option)

Holder for external devices support

Article number	Product description
For retrofit	
LHAF100	Supporting flange for the gate
LHAR100	Fastening tube adjustable 115–135 mm for reader device
LHAF100	Mounting kit inner bracket
Factory assembly	
LHAR100	Fastening tube adjustable 115–135 mm for reader device, plus EP113
EP113	Mounting charge for accessories (once per option)

Accessory for reader device

LHAP100	Standard top mounting for reader device
LHAS100	Plug set for reader bracket (5 pieces)

Coin Validator

Article number	Product description
AUG200	Body housing empty
AUG201	Body housing Coin validator mechanical
AUG203	Body housing, incl. coin validator mechanical for 0,50 Euro
CMZ012750	Token, diameter 27 mm, with groove (50 pieces)

Illumination	
Article number	Product description
GED100	Gate End Display – 2 pieces built-in per one passage
DLED100	Signal LED for indication of random generator trigger red/green (1 piece), function has to be indicated at order, no power supply unit needed
GEDEXT100	External passage indicator, signal LED for GED extension red/green (1 piece), no power supply unit needed
RLED100	Frame edge LED illumination red/green for long mTripod (ML version), plus EP110, power supply unit VE100 needed
RLED101	Frame edge LED illumination red/green for short mTripod (MS version), plus EP110, power supply unit VE100 needed
BOLED100	Floor LED illumination white for long mTripod version, plus EP110, power supply unit VE100 needed
BOLED101	Floor LED illumination white for short mTripod version, plus EP110, power supply unit VE100 needed
VE100	Power supply unit, one VE100 can supply all electric options (only 1 time required per mTripod)
EP110	Extra charge for installation of RLED/BOLED illumination (once per option)

Sensors / buzzers, VE100 required

UKE100	Crawl-under detection for detection of an unauthorized passage below the locking arm (acoustic signal with ESU100 available), plus EP111
USE100	Climb-over detection for detection of an unauthorized passage by climbing over the locking arm (acoustic signal with ESU100 available), plus EP111

EP111	Extra charge for installation of crawl-under/climb-over detection
ESU100	Internal buzzer, pulse signal/continuous signal, plus EP113
EP113	Mounting charge for accessories (once per option)

Interfaces

Article number	Product description
MEB103	Extension board for interface modules
EM01	Ethernet interface as plug-in module, requires for mSwing und mTwing MEB103

Service module

Article number	Product description
SM01	Service module for updating the controller software and parameters

External desk panel

Article number	Product description
PULT01	Desk panel 1 channel for the control of 1 device
PULT02	Desk panel 2 channel for the control of 2 devices

Foundation options	
Article number	Product description
ARS100	Metal drilling and alignment device for FlowMotion®, (mTripod ML/MS, mWing)
Variant 1: direct mounting	
BSS100	Mounting set for installation on finished floor surface
Variant 2a: assembly on unfinished concrete floor ML	
FURA100	Foundation frame FlowMotion® long (ML), bridging structure for assembly under heating/floor screed and glue solution
BSSFURA100	Threads and metal base plate
Variant 2b: assembly on unfinished concrete floor MS	
FURA101	Foundation frame FlowMotion® short (MS), bridging structure for floor heating/floor screed and glue solution
BSSFURA101	Threads and metal base plate
Variant 3: glue based fixing	
FURA100	Foundation frame FlowMotion® long (ML), bridging structure for floor heating/floor screed and glue solution
FURA101	Foundation frame FlowMotion® short (MS), bridging structure for floor heating/floor screed and glue solution
BSSKL100	Glue cartridge FlowMotion® for fixing to a finished floor surface
Variant 4: assembly for paving stones	
FURA102	Foundation frame FlowMotion® long (ML), for usage with paving stones, height = 150 mm
FURA104	Foundation frame FlowMotion® short (MS), for usage with paving stones, height = 150 mm
BSS100	Mounting set for installation on finished floor surface
Variant 5: platform	
FMMS_TP	Platform stainless steel, mTripod ML/MS, 1 passage

mSwing

Swing doors

- > As single or double doors for visitor entrances, passage with baggage, transport routes and wheelchair-friendly access
- > For unobstructed escape routes in emergencies
- > Ideally complements the mTripod access control system
- > Compact accommodation of drive and control systems in the centre column
- > Low impact forces for maximum personal safety
- > Freely turning on power outages
- > Designed for 10 million opening and closing cycles
- > Escape and rescue route approval



Technical data	mSwing
Application	Indoor and outdoor
Passage width	Standard: 1000 mm Wide Lane: 1200 mm (more on request)
Barrier element height	Standard: 994 mm (more on request)
Opening/closing time	2,0–5,5 s, depending on barrier element dimensions
Opening angle	Adjustable from 0–±105°
Drive technology	MHTM™
Control system	MGC
Voltage	100–240 V AC, 50–60 Hz
Power consumption	Maximum 45 W
Duty cycle	100%
Housing material	Aluminium
Housing height	1092 mm
Housing diameter	Maximum 183 mm
Enclosure rating	IP54
Weight	About 40 kg (without blocking element)
Temperature range	-30 to +55 °C

Features	
Direction of passage	Uni- or bi-directional
Emergency release	Can be parameterised: fixed position or freely turning
Control system inputs and outputs	8 digital inputs, 4 digital outputs, and 6 relay outputs
Configuration	Via USB interface from external
Escape route approval	

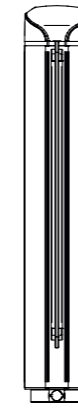
Standard colours	
White aluminium (similar to RAL 9006)	Jet black (similar to RAL 9005)

An overview of all special colours and effect coatings is available on page 96.

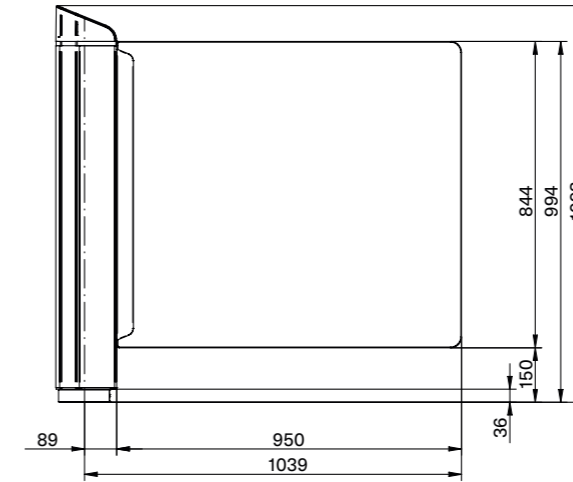
Potential applications

Dimensional drawings

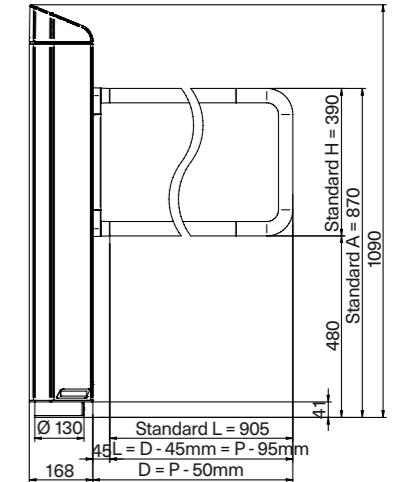
mSwing – side view



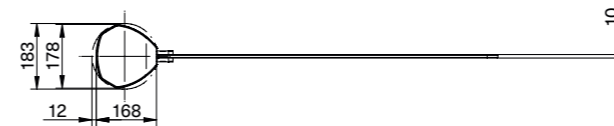
mSwing – front view



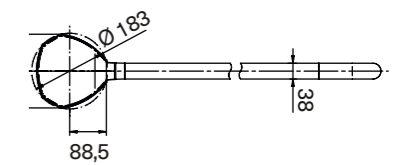
mSwing with U bar – front view



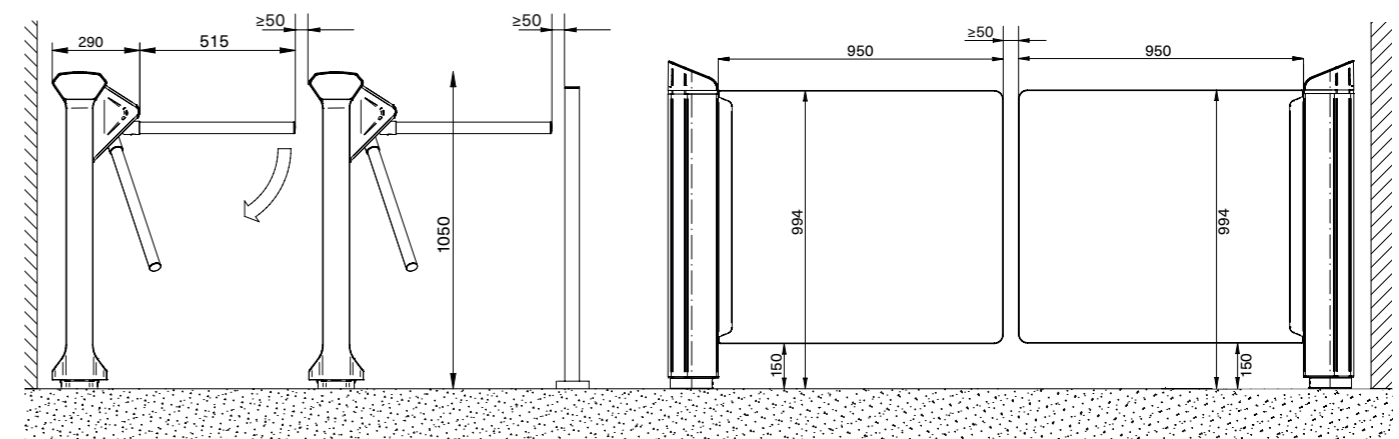
mSwing – top view



mSwing with wing from above



Line configuration with mTripod and mSwing as double swing gate



mSwing

Swing doors



mSwing in basic configuration	
Article number	Product description
FMSW_MG	Swing door FlowMotion® mSwing for glass panel (without glass panel)
FMSW_MU	Swing door FlowMotion® mSwing with U-bar (without U-bar)

Special colour	
Article number	Product description
SL103	Special colour for outer tube and hood, other elements always in jet black

Glass panels/arms	
Article number	Product description
FMSW_G10E950	Glass panel in standard size: 994 x 1000 mm (height A x passage width P)
FMSW_G12E950	Glass panel in standard size: 1200 x 1000 mm (height A x passage width P)
FMSW_G15E950	Glass panel in standard size: 1500 x 1000 mm (height A x passage width P)
FMSW_G18E950	Glass panel full-height standard: 1800 x 1000 mm (height A x passage width P)
FMSW_GESPC	Glass panel with special dimensions, maximum 1800 x 1000 mm or 994 x 1200 mm (height A x passage width P)
GKS103	Glass edge protection, black, for FMSW_G10E950, 1 piece
FMSW_U950	U-bar: D = 950 mm/P = 1000 mm mSwing

Glass panels/arms (continuation)	
Article number	Product description
FMSW_U1100	U-bar: D = 1100 mm/P = 1150 mm mSwing
FMSW_U1800	U-bar: D = 1800 mm/P = 1850 mm mSwing
FMSW_USPC	U-bar special dimension: D = max. 1800 mm mSwing

Illumination	
Article number	Product description
RLED103	Cover illumination red/green
BOLED103	Floor illumination white
EP110	Extra charge for installation of illumination (per option once)

Sensors/buzzers	
Article number	Product description
ESU103	Internal buzzer, puls signal/continuous signal
EP113	Mounting charge for accessories (once per option)

Interfaces	
Article number	Product description
MEB103	Extension board for interface modules
EM01	Ethernet interface as plug-in module, requires for mSwing and mTwing MEB103

Emergency push button/Service module	
Article number	Product description
NT102	Emergency push button, without cables 230 V AC / 24 V DC incl. type examination certificate (TÜV) for escape and rescue route approval mWing and mSwing (not for mTwing)

NT104	Emergency push button for flush-mounted installation, without cables 230 V AC / 24 V DC incl. type examination certificate (TÜV) for escape and rescue route approval mWing and mSwing (not for mTwing)
SM01	Service module for updating the controller software and parameters

External desk panel	
Article number	Product description
PULT01	Desk panel 1 channel for the control of 1 device
PULT02	Desk panel 2 channel for the control of 2 devices

Foundation options	
Article number	Product description
Variant 1: direct mounting	
BSS103	Mounting set for mounting for mSwing, mTwing and FMPO_ES on finished floor surface
Variant 2: Assembly on unfinished concrete floor	
FURA103	Foundation frame FlowMotion®, bridging structure for assembly under heating/floor screed and glue solution
BSSFURA103	Mounting set FlowMotion® for mounting on foundation frame

Variant 3: glue based fixing	
FURA103	Foundation frame FlowMotion®, bridging structure for assembly under heating/floor screed and glue solution
BSSKL100	Glue cartridge FlowMotion® for fixing to a finished floor surface

Variant 4: paving stone assembly	
FURA113	Foundation frame, for usage with paving stones, height = 150 mm
BSS103	Mounting set for mounting for mSwing, mTwing and FMPO_ES on finished floor surface

Variant 5: platform	
FMMS_SW	Platform stainless steel, mSwing, for glass/u-bar till 1000 mm

mTwing

Half height turnstile

- > Ideally complements the product range of FlowMotion®
- > With barrier and railing elements for an unrestricted view into the building
- > Compact accommodation of drive and control systems in the centre column
- > Low impact forces for maximum personal safety
- > Freely turning on power outages
- > Designed for 10,000,000 opening and closing cycles



Technical data	mTwing
Application	Indoor and outdoor
Passage width	Standard: 635 mm
Barrier element height	Standard: glass 664 mm, U-bar 390 mm
Opening/closing time	Glass: 3,2 s, U-bar: 2,1s, depending on barrier element dimensions
Wing configuration	3 x 120°
Drive technology	MHTM™
Control system	MGC
Voltage	100 – 240 V AC, 50 – 60 Hz
Power consumption	Maximum 80 W

Standard colours	
White aluminium (similar to RAL 9006)	Jet black (similar to RAL 9005)

An overview of all special colours and effect coatings is available on page 96.

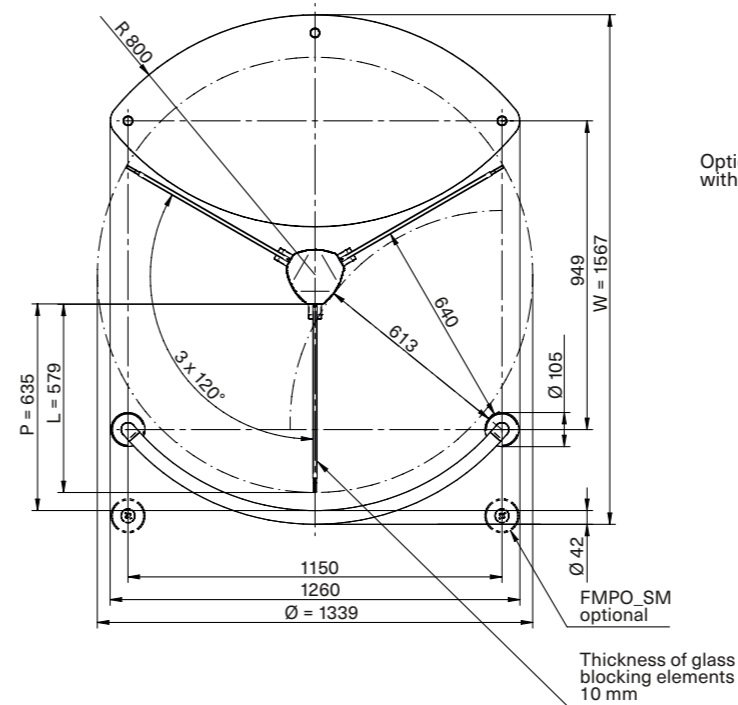
Technical data	mTwing
Duty cycle	100 %
Housing material	Aluminium
Housing height	1034 mm
Housing diameter	Maximum 186 mm
Enclosure rating	IP54
Weight	approx. glass 69 kg, U-bar 43 kg
Temperature range	-30 to +55 °C
Throughput (number of persons per min.)*	approx. 15

* Depending on reader, product configuration, person behaviour

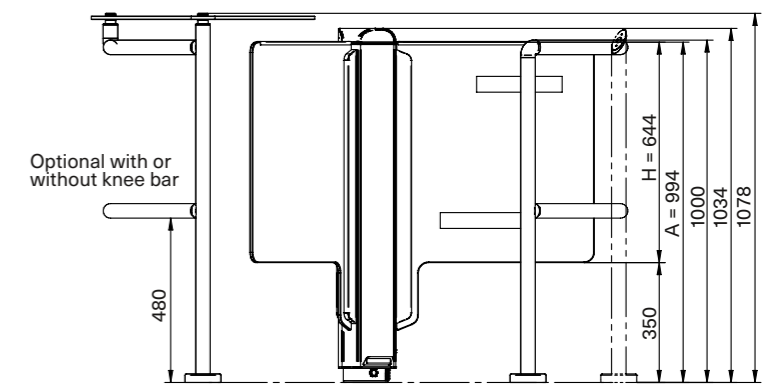
Potential applications	

Dimensional drawings

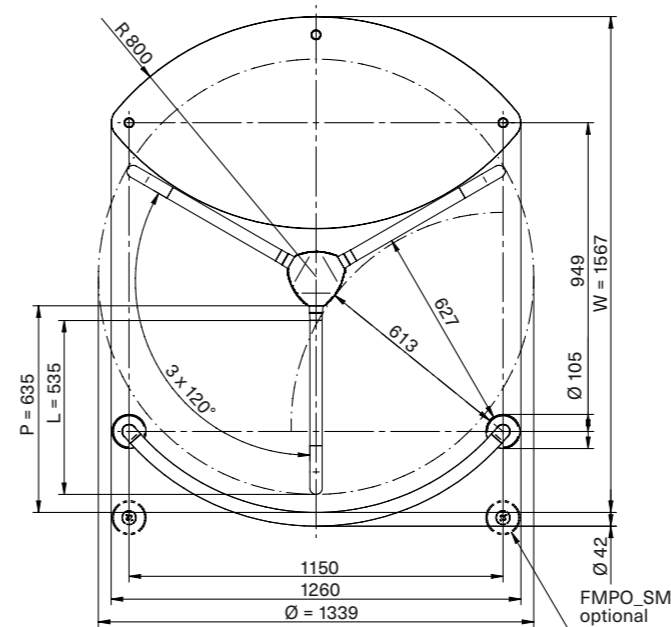
mTwing with glass panels top view



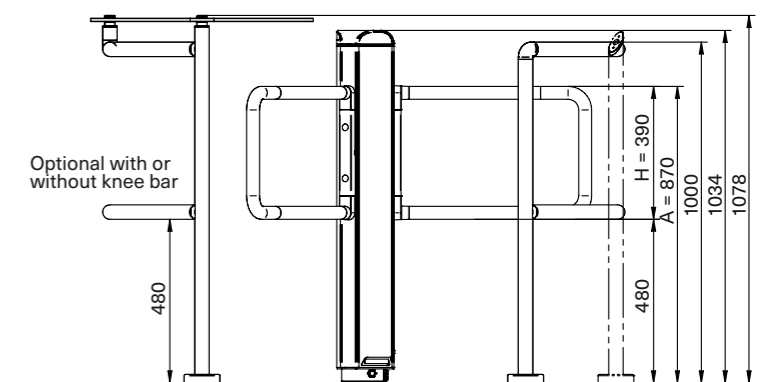
mTwing with glass panels – side view



mTwing with U-bars – top view



mTwing with U-bars – side view



mTwing

Half height turnstile



mTwing in basic configuration	
Article number	Product description
FMTW_MG	Half height turnstile FlowMotion® mTwing for glass panel (without glass panel)
FMTW_MU	Half height turnstile FlowMotion® mTwing with U-bar (without U-bar)

Special colour	
Article number	Product description
SL103	Special colour for outer tube and hood, other elements in jet black

Glass panel/arms	
Article number	Product description
FMTW_G10E580	Glass panel in standard size: 994 x 630 mm (height A x passage width P), 3 pieces required
GKS113	Glass edge protection, black, for FMSW_G10E580, 1 piece
FMTW_U580	U-bar in standard size: 630 mm passage width P, 3 pieces required

Guiding elements	
Article number	Product description
GBTF103	Guiding element rear site, without knee-rail, with support for GBET103
GBTF113	Guiding element rear site, with knee-rail, with support for GBET103
GBTK103	Guiding element passage site, without knee-rail
GBTK113	Guiding element passage site, with knee-rail
GBET103	Blocking glass guiding

Illumination	
Article number	Product description
RLED103	Cover illumination red/green
BOLED103	Floor illumination white
EP110	Extra charge for installation of illumination (once per option)

Sensors/buzzers	
Article number	Product description
ESU103	Internal buzzer, puls signal/continuous signal
EP113	Mounting charge for accessories (once per option)

Interfaces	
Article number	Product description
MEB103	Extension board for interface modules
EM01	Ethernet interface as plug-in module, requires MEB103

Service module	
Article number	Product description
SM01	Service module for updating the controller software and parameters

External desk panel	
Article number	Product description
PULT01	Desk panel 1 channel for the control of 1 device
PULT02	Desk panel 2 channel for the control of 2 devices

Foundation options (only FMTW)	
Article number	Product description
Variant 1: direct mounting	
BSS103	Mounting set for mounting for mSwing, mTwing and FMPO_ES on finished floor surface
Variant 2: assembly on unfinished concrete floor	
FURA103	Foundation frame FlowMotion®, bridging structure for assembly under heating/floor screed and glue solution
BSSFURA103	Installation set FlowMotion® for mounting on foundation frame

Variant 3: glue based fixing	
Article number	Product description
FURA103	Foundation frame FlowMotion®, bridging structure for assembly under heating/floor screed and glue solution
BSSKL100	Glue cartridge FlowMotion® for fixing to a finished floor surface

Variant 4: platform (FMTW incl. guiding elements)	
Article number	Product description
FMMS_TW	Platform stainless steel, mTwing, for glass/u-bar till 580 mm

Foundation options for guiding post	
Article number	Product description
Option 1: direct mounting	
BSS101	Mounting set for one guiding post and FMPO_SM at finished floor surface (4 sets BSS101 for a mTwing guiding installation necessary)

mPost

Card reader column



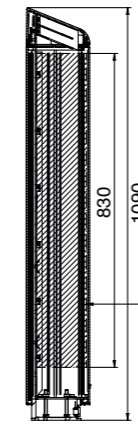
- > Ideally complements the product range of FlowMotion
- > Compact accommodation of reader devices possible

Dimensional drawings

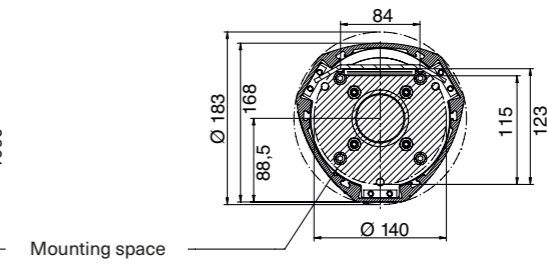
mPost – front view



mPost – side view



mPost – view from below



Technical data	mPost (mSwing/mTwing type)	mPost (mGuide type)
Application	Indoor Outdoor (depending on installed devices)	Indoor Outdoor (depending on installed devices)
Housing colours (standard)	White aluminium and jet black	Brushed surface
Housing material	Aluminium tube, mDure® cover	Stainless steel (V2A)
Housing dimensions (L x W x B)	178 x 168 x 1090 mm	Ø 42,4/105 x 1030 mm
Enclosure rating	IP54	IP54
Weight approx.	16 kg	2,6 kg

Standard colours

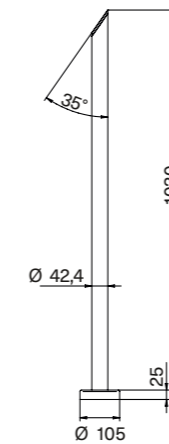


An overview of all special colours and effect coatings is available on page 96.

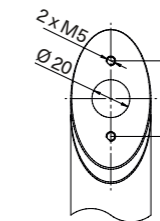
mPost small – front view



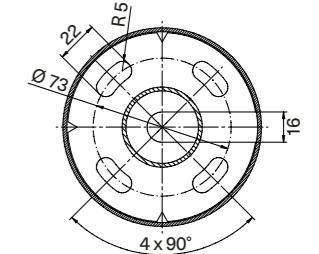
mPost small – side view



mPost small – top view



mPost mGuide type – view from below



mPost

Card reader column




mPost in basic configuration

Article number	Product description
FMPO_SM	mPost card reader column small
FMPO_ES	mPost card reader column

Special colour

Article number	Product description
SL104	Special colour for outer tube FMPO_ES, other elements in jet black



Hoods and mounting frames

Article number	Product description
FP113	Hood FMPO_ES with white RFID symbol 
FP1X3	Hood FMPO_ES with white RFID symbol, special colour
FP107	Hood FMPO_ES with cut out for NT104
FP1X7	Hood FMPO_ES with cut out for NT104, special colour
HUL103	Mounting frame for Keydom RFID reader for mPost (1 piece, plastic)

Holder for external devices (for retrofit)

LHAP103	Adapter plate for FMPO_SM in RAL 9005
LHAP104	Adapter set RFID reader for FMPO_SM in RAL 9005

Emergency push button

Article number	Product description
NT103	Assembly kit emergency push button, incl. emergency push button, without cables 230 V AC/24 V DC incl. type examination certificate (TÜV) for escape and rescue route approval mWing and mSwing (not for mTwing) 
NT104	Emergency push button for flush-mounted installation, without cables 230 V AC/24 V DC incl. type examination certificate (TÜV) for escape and rescue route approval mWing and mSwing (not for mTwing) If installed hood FP107 (or FP1X7) and EP113 required 
EP113	Mounting charge for accessories (once per option)

Foundation options

Article number	Product description
Variant 1: direct mounting	
BSS101	Mounting set for FMPO_SM post at finished floor surface
BSS103	Mounting set for mounting for FMPO_ES on finished floor surface
Variant 2: Assembly on unfinished concrete floor	
FURA103	Foundation frame FlowMotion®, bridging structure for assembly under heating/floor screed and glue solution
BSSFURA103	Mounting set FlowMotion®, for mounting on foundation frame
Variant 3: glue based fixing	
FURA103	Foundation frame FlowMotion®, bridging structure for assembly under heating/floor screed and glue solution
BSSKL100	Glue cartridge FlowMotion® for fixing to a finished floor surface
Variant 4: paving stone assembly	
FURA113	Foundation frame, for usage with paving stones, height = 150 mm
BSS103	Mounting set for mounting for mSwing, mTwing and FMPO_ES on finished floor surface

mGuide

Railing system

- > Separation of areas for controlled and freely accessible zones
- > Ideal supplement as user guidance system for the FlowMotion® pedestrian gates
- > Clear transparent design seamlessly integrates into demanding architectures
- > Individually adaptable to point of use thanks to flexible width
- > Safety glass provides maximum user safety

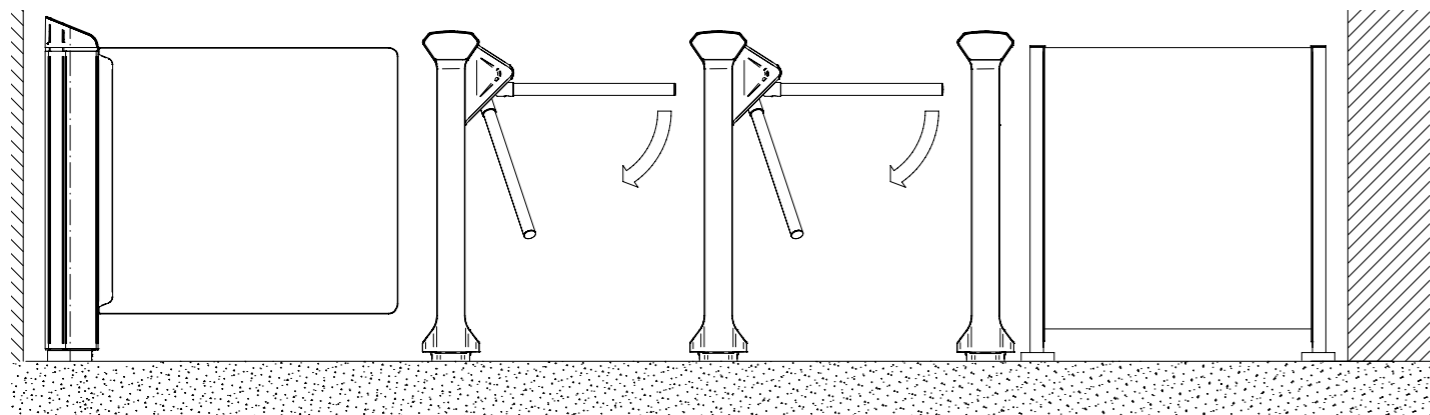


Technical data	mGuide
Barrier width	Up to 1300 mm
Barrier element thickness	10 mm
Barrier elements	Glass panels made of single-layer safety glass (ESG) or acrylic glass, customer-specific barrier elements
Housing material	Stainless steel
Housing height	1000 mm
Housing diameter	105 mm at base, 42 mm on columns

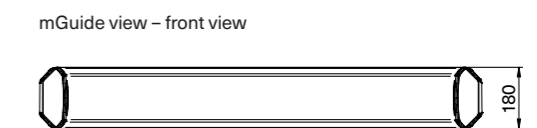
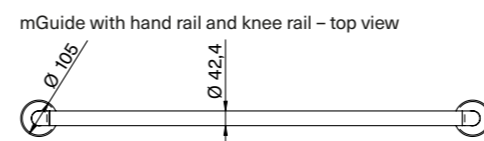
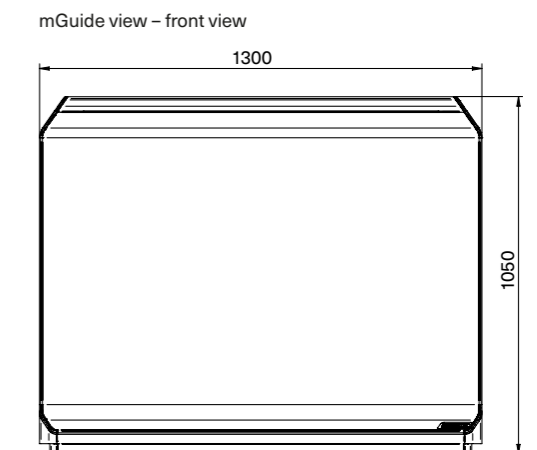
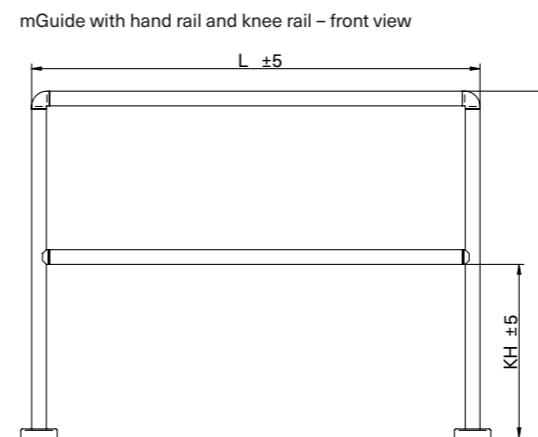
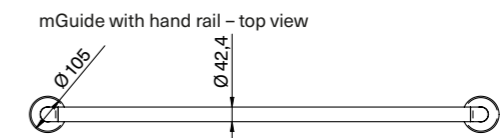
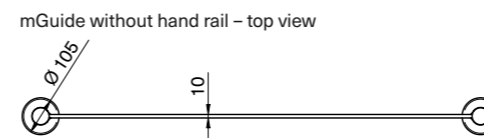
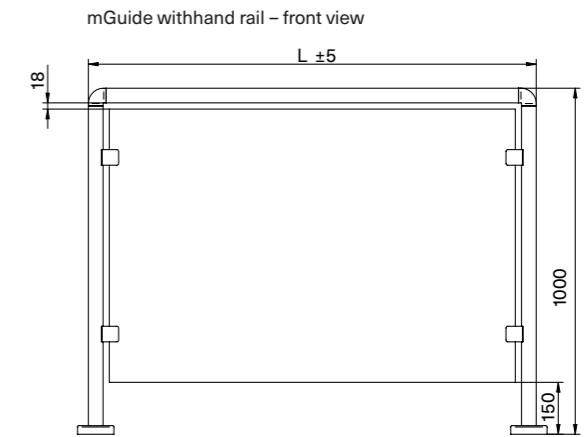
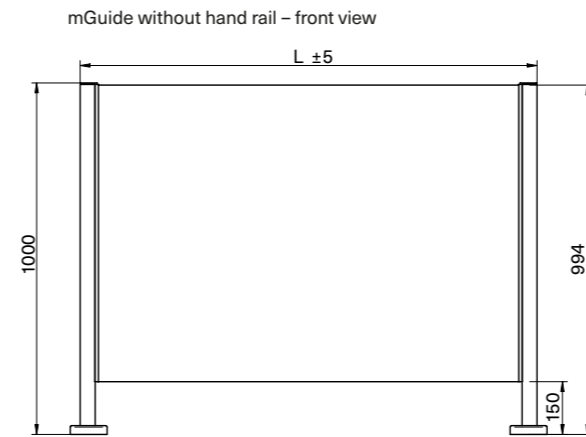
Technical data	Guiding element FlowMotion®
Housing material	mDure®
Housing dimensions (L x W x B)	1300 x 290 x 1050 mm
Standard colours (for GFM100 only)	
White aluminium (similar to RAL 9006)	Jet black (similar to RAL 9005)

Dimensional drawings

Line configuration with mSwing, mTripod and mGuide as user guidance and barrier element



Dimensional drawings



mGuide

Railing system



1 - FlowMotion housing, without BSS100

Article number	Product description
GFM100	mGuide FlowMotion housing long as guiding element including BP100 in standard colour
GFM1X0	mGuide FlowMotion housing long as guiding element including BP100 in special colour

2 - Post with channel (without glass), assembly on site, without BSS101

Article number	Product description
GGPA100	Post for either end of mGuide with glass panel (1 piece)/H = 1000 mm
GGPA101	Post for either end of mGuide with glass panel (1 piece)/H > 1000 mm
GGPM100	Middle post of mGuide with glass panel/H = 1000 mm
GGPM101	Middle post of mGuide with glass panel/H > 1000 mm

2 - Glass panels for posts with channel

Article number	Product description
GGE100	mGuide tempered safety glass (ESG Float) with L = 1300 mm/H = 1000 mm
GGV100	mGuide laminated safety glass (ESG Float) with L = 1300 mm/H = 1000
GGE101	mGuide tempered safety glass (ESG Float) with L = 1300 mm/H = 1200 mm
GGV101	mGuide laminated safety glass with L = 1300 mm/H = 1200 mm
GGE102	mGuide tempered safety glass (ESG Float) with L = 1300 mm/H = 1500 mm
GGV102	mGuide laminated safety glass with L = 1300 mm/H = 1500 mm
GGE103	mGuide tempered safety glass (ESG Float) with L = 1300 mm/H = 1800 mm
GGV103	mGuide laminated safety glass with L = 1300 mm/H = 1800 mm
GGE10X	mGuide tempered safety glass (ESG Float) with L = X mm/H = X mm (max. H = 1800 mm/max. L = 1300 mm)
GGV10X	mGuide laminated safety glass with L = X mm/H = X mm (max. H = 1800 mm/max. L = 1300 mm)

3 - Guiding fixed length, assembled without BSS101

Article number	Product description
GBK100	mGuide railing with banister and knee-bar, assembled, L = 1300 mm/H = 870 mm/M = 1258 mm
GBK101	mGuide railing with banister and knee-bar, assembled, L = 1300 mm/H = 1000 mm/M = 1258 mm

3 - Guiding with knee-rail, elements for own configuration, assembly on site, without BSS101/KLBG100/UR01

Article number	Product description
GBAK100	Post for either end of mGuide with hand- and knee-rail (1 piece) 870 mm
GBMK100	Middle post for mGuide with knee-holm/870 mm
GBAK101	Post for either end of mGuide with hand- and knee-rail (1 piece) 1000 mm
GBMK101	Middle post for mGuide with knee-holm/1000 mm
GBHL100	Hand-/knee-rail for mGuide/L = 1300 mm

4 - Guiding for glass panel, elements for own configuration, assembly on site, without BSS101/KLBG100/UR01

Article number	Product description
GBAF100	Post for either end of mGuide with hand-rail and glass panel (1 piece) 870 mm
GBMF100	Middle post for mGuide with hand-rail and glass panel (1 piece) 870 mm
GBAF101	Post for either end of mGuide with hand-rail and glass panel (1 piece) 1000 mm
GBMF101	Middle post for mGuide with hand-rail and glass panel (1 piece) 1000 mm
GBHL100	Hand-/knee-rail for mGuide/L = 1300 mm

4 - Glass panels for railing

Article number	Product description
GBEF100	Tempered safety glass (ESG Float) for inlay mGuide H = 870 mm/L = 1300 mm
GBVF100	Laminated safety glass (ESG Float) for inlay mGuide H = 870 mm/L = 1300 mm
GBEF101	Tempered safety glass (ESG Float) for inlay mGuide H = 1000 mm/L = 1300 mm
GBVF101	Laminated safety glass for inlay mGuide H = 1000 mm/L = 1300 mm
GBEF100X	Tempered safety glass (ESG Float) for inlay mGuide H = 870 mm/L = X, (max. L = 1300 mm)
GBVF100X	Laminated safety glass for inlay mGuide H = 870 mm/L = X (max. L = 1300 mm)
GBVF101X	Laminated safety glass for inlay mGuide H = 1000 mm/L = X, (max. L = 1300 mm)
GBEF101X	Tempered safety glass (ESG Float) for inlay mGuide H = 1000 mm L = X (max. L = 1300 mm)

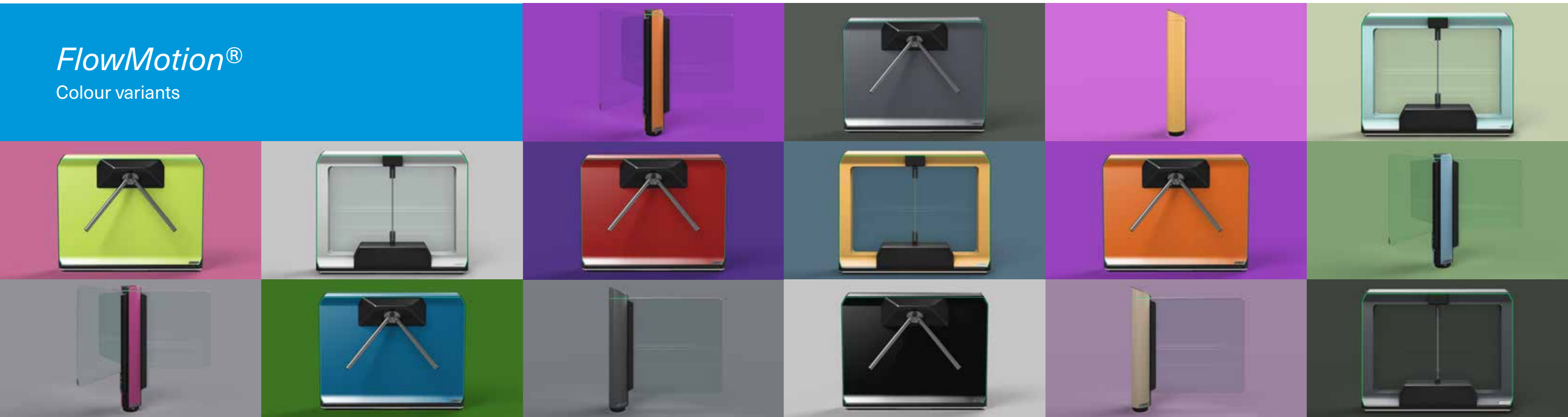
Accessories

Article number	Product description
BSS101	Fastening set for one mGuide post on finished floor surface
KLBG100	Glue LOXEAL 83-21 10 ml
UR01	Cleaner

In the download centre you will find a calculation tool for the calculation of the glass size and number of posts.

FlowMotion®

Colour variants



To ensure that the products from the FlowMotion® family can be seamlessly integrated into existing architecture, we offer all housings in a variety of different colour tones and effect coatings.

Other colour options available on request. Subject to colour variations.

Special colours RAL

RAL 1015 Light ivory	RAL 1017 Saffron yellow	RAL 2004 Pure orange	RAL 2012 Salmon orange
RAL 3002 Carmine red	RAL 3003 Ruby red	RAL 3004 Purple red	RAL 3012 Beige red
RAL 4004 Claret violet	RAL 4007 Purple violet	RAL 4008 Signal violet	RAL 5019 Capri blue
RAL 5024 Pastel blue	RAL 7015 Slate grey	RAL 7016 Anthracite grey	RAL 7035 Light grey
RAL 7036 Platinum grey	RAL 9001 Cream	RAL 9003 Signal white	RAL 9005 Jet black
RAL 9006 White aluminium	RAL 9010 Pure white	RAL 9016 Traffic white	

Special colours NCS

NCS 0080-G40Y Green	NCS S 0300-N Broken white	NCS S 0507-Y Light yellow	NCS S 0520-B70G Mint
NCS S 0530-Y Yellow	NCS S 0560-G50Y Yellow green	NCS S 0603-G80Y Light beige	NCS S 0603-Y20R Light ivory
NCS S 1002-Y50R White grey	NCS S 1005-Y50R Beige	NCS S 1020-B50G Light turquoise	NCS 1040-G60Y Light yellow
NCS S 1060-B Light blue	NCS S 1502-Y50R Light beige	NCS S 2005-Y50R Light warm beige	NCS S 2005-Y60R Light brown
NCS S 2020-R40B Light purple	NCS S 4010-Y30R Anise	NCS S 4020-Y60R Brown	NCS S 4050-R50B Purple
NCS S 5005-R20B Red grey	NCS S 7010-Y30R Dark brown	NCS S 7500-N Dark grey	

Safe in every way

The FlowMotion® series meets all legal standards



Gain Momentum!

The airport series from Magnetic

Pre-security gates

ABC gates

Access control gates

Self-boarding gates



Our pedestrian gates conform with all major legal rules, certifications and other requirements

The following directives and regulations apply in Europe when power-operated (motorised) pedestrian gates are used: Construction Products Regulation No. 305/2011 when the movement of persons cannot be ruled out, the Machinery Directive (2006/42/EC) with Low-Voltage Directive (2014/35/EU), and the RoHS Directive (2011/65/EU). Magnetic's pedestrian gates comply with the new DIN EN 17352 standard for power-operated access control equipment.

Maintaining low-energy mode is an important aspect here, ensuring that persons are only exposed to a maximum of 1.69 J – preventing injury.

These directives and regulations define the minimum protection level for placing building products and machines on the market. This also includes the installation of one or more pedestrian gates in the FlowMotion® series. In order to comply with these regulations, a declaration of conformity must be provided in compliance with the Machinery and EMC Directives before pedestrian gates are placed on the market. You automatically receive these documents from us when you

purchase a pedestrian gate in the FlowMotion® series. So you are also on the safe side in legal terms. We take on the responsibility for you! The CE symbol is the visible sign of conformity with these Directives and is shown on the gates' identification plates.

No need for additional protection!
Supplementary photoelectric switches, scanners, etc. are not necessary for personal protection – they only serve detection purposes. Low-energy mode is sufficient personal protection.



Declaration of conformity for the complete system in accordance with the Machinery Directive

- ✓ Safe control (EN13849)
- ✓ Compliance with all relevant EN standards
- ✓ Personal and property protection
- ✓ EMC tested (electromagnetic compatibility)

Certification for USA and Canada (mTripod)

- ✓ In accordance with UL325

More momentum for your application

The higher the momentum, the greater the movement – this is reflected in the name Magnetic has given its new modular series. Magnetic's Momentum® series offers you a highly flexible construction kit with carefully designed frame elements and

numerous individually configurable modules. Dimensions, functions, colours and illumination – stay flexible and speed up your processes!



Ground module

This is the central element of the Momentum series: you can install any functional unit on the basic module within a grid of 150 mm. The photoelectric switches and bus cabling are also accommodated within it.



Entry module

Made for user interactions: the human-machine interface module provides space for passport and boarding card readers, as well as for all established biometric reading devices.



Control module

It's your space: the main module houses all control devices from Magnetic. There is also a separate mounting plate for customer-specific components.



Doors and side panels

It's your choice: using safety glass you can select any shape, colour, imprints and illumination for the doors and side panels.

mGo – Self boarding gate



mPass – Pre-security gate



mBorder – ABC gate



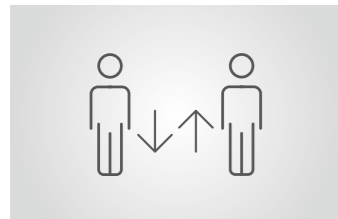
Perimeter protection

Efficient, secure, convenient



Optimal access controls for outdoors

External areas operated by companies, government authorities or airports also need to be secured against unauthorised access. At the same time, employees, suppliers and service providers must be able to enter or exit the area within a short amount of time. The turnstiles and swing doors from Magnetic can be easily integrated into the existing architecture or fencing system and provide a high level of security due to their size and robust design. The different modules and attachments mean that the passageways can be precisely adapted to the desired requirements.



Made-to-measure perimeter protection

Three different drive units are available: Electrically driven turnstiles are powered by the MHTM™ drive unit, while the user initiates the turning motion themselves in the electromagnetic version. The purely mechanical turnstiles only allow visitors to pass through in one direction.



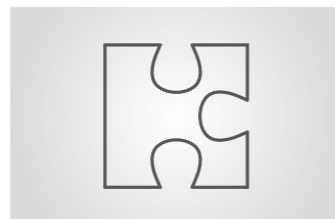
Comprehensive protection against the weather

The full height turnstiles and full height swing doors are ideally equipped for outdoor use: Hot-dip galvanised steel with powder coating or stainless steel defy wind and weather. The IP43 protection class housing is well protected against splash water and foreign bodies, IP54 is possible with an optional seal kit. An additional roof also protects users from the weather.



Innovative drive technology

The MHTM™ drive unit in the electrically driven versions of the full height turnstiles stands out due to its quiet, energy-efficient operation and particularly smooth start-up behaviour. The drive unit is maintenance-free and designed for 10 million people passing through the full height turnstile.



Individual customisation

Single or double full height turnstiles, swing doors for bicycles and wheelchair users, with a roof or lighting – Magnetic offers customised perimeter protection for every installation location and every requirement.



MPT full height turnstile

The single version: Full height turnstile with one passage. With the MHTM™ drive unit for the electromotive version and the locking unit for the electromechanical and mechanical version.

Application

Access control in one direction or alternating in two directions (only with the MHTM™ drive unit or electromechanical control).

[From page 102](#)



MPT full height double turnstile

The double version: Full height turnstile with two passage. With the MHTM™ drive unit for the electromotive version and the locking unit for the electromechanical and mechanical version.

Application

Access controls with two passageways in one direction for especially high pedestrian traffic or in two directions at the same time.

[From page 106](#)



MPG full height swing door

The wide solution: Full height swing gate with a MHTM™ drive unit, a passage width greater than 1000 mm and a 90° opening angle in both directions.

Application

Access solutions for suppliers, groups of visitors, wheelchair users and all applications where a large passage width is required – as a free-standing solution or as an attachment kit for turnstiles.

[From page 110](#)



MPB full height turnstile with bicycle gate access

The version for bicycles and riders: Full height turnstiles for pedestrians with an integrated swing door for bicycles that are reliably detected using inductive loops.

Application

Secure and quick access solution for bicycle parking garages and for companies and facilities where employees can access the company premises on two wheels.

[From page 114](#)

MPT

Full height turnstile

Products in basic configuration	
Article number	Product description
MPT 333	Full height turnstile, electro-mechanical ¹
MPT333CA300	Hot dip galvanized + powder coated in RAL7042
MPT333CA300X	Hot dip galvanized + powder coated in RAL special colour
MPT333CA340	Hot dip galvanized + powder coated in RAL7042, centre in stainless steel (V4A/AISI316L; AISI316Ti)
MPT333CA340X	Hot dip galvanized + powder coated in RAL special colour, centre in stainless steel (V4A/AISI316L; AISI316Ti)
MPT333CA320	Stainless steel tube construction (V4A/AISI316L; AISI316Ti)
MPT 132	Full height turnstile, motor driven ²
MPT132CA300	Hot dip galvanized + powder coated in RAL7042
MPT132CA300X	Hot dip galvanized + powder coated in RAL special colour
MPT132CA340	Hot dip galvanized + powder coated in RAL7042, centre in stainless steel (V4A/AISI316L; AISI316Ti)
MPT132CA340X	Hot dip galvanized + powder coated in RAL special colour, centre in stainless steel (V4A/AISI316L; AISI316Ti)
MPT132CA320	Stainless steel tube construction (V4A/AISI316L; AISI316Ti)
MPT330	Full height turnstile, mechanical
MPT330CZ300	Hot dip galvanized + powder coated in RAL7042
MPT330CZ300X	Hot dip galvanized + powder coated in RAL special colour
MPT330CZ340	Hot dip galvanized + powder coated in RAL7042, centre in stainless steel (V4A/AISI316L; AISI316Ti)
MPT330CZ340X	Hot dip galvanized + powder coated in RAL special colour, centre in stainless steel (V4A/AISI316L; AISI316Ti)
MPT330CZ320	Stainless steel tube construction (V4A/AISI316L; AISI316Ti)

¹ Including control unit MGC and fixing kit, steel frame construction, 3 x 120° arrangement

² Including control units MBC-110, MMC120 and fixing kit, steel frame construction, 3 x 120° arrangement

³ Including fixing kit, steel frame construction, 3 x 120° arrangement



Options and accessories for MPT turnstile	
Article number	Product description
Optional configuration	
4x90T3MP	Additional charge for arrangement 4 x 90° (not for MPT*3*CA/Z320)
PHZT3GBMP	Additional charge for PHC at service door of support beam MPT*3*/MPG/MPB
Locking for MPT333/330/353/350	
EP100	Conversion charge for entry locked in case of power failure (for each direction 1 kit is required)
EP101	Conversion charge for exit locked in case of power failure (for each direction 1 kit is required)
MAENT101	Lock mechanical release MPT (per direction)
Locking for MPT132/152	
VRM1	One way locking unit in case of power failure, required once per turnstile (for each direction 1 kit is required)
VRM2	Both way locking unit in case of power failure, required once per turnstile (for each direction 1 kit is required)

Options and accessories for MPT turnstile	
Article number	Product description
Cage half instead of blocking bracket	
KH01	Cage half with blocking bracket, hot dip galvanized + powder coated in RAL7042
KH0X	Cage half with blocking bracket, hot dip galvanized + powder coated in RAL special colour
KHEK	Cage half with blocking bracket, stainless steel tube construction (V4A/AISI316L; AISI316Ti)
Passage indicator GED (Gate End Display)	
GED105MP	Cage half with blocking bracket, hot dip galvanized + powder coated in RAL7042
Mounting pillar for installing of access control units	
ASMP	Chrome steel powder coated in RAL7042, with mounting plate
ASMPX	Chrome steel powder coated in RAL special colour, with mounting plate
ASMPPHZ	Chrome steel powder coated in RAL7042, with mounting plate, prepared for key cylinder
ASMPPHZX	Chrome steel powder coated in RAL special colour, with mounting plate, prepared for key cylinder
Cover of reader holder	
AMWMPTR	Cover of reader holder in stainless steel powder coated in RAL7042, 1 piece
AMWMPTX	Cover of reader holder in stainless steel in matching turnstile colour, 1 piece
AMWMPT	Cover of reader holder in stainless steel not painted, 1 piece
Push button	
DT101	Illuminated push-button for release of passage by keystroke (per passage direction)
DT102	Surface-mounted button IP67 for free exit
Lighting	
BELED	Lighting LED for MPT*3*/MPG/MPB, consisting of 2 lamps and support, powder coated in RAL7042, without twilight switch (not for mechanical high turnstiles, only for 230 V/50 Hz)
BELEDDS	Lighting LED for MPT*3*/MPG/MPB, consisting of 2 lamps and support, powder coated in RAL7042, with twilight switch (not for mechanical high turnstiles, only for 230 V/50 Hz)
Roof	
1008_5236	Add-on roof for MPT*3*, powder coated in RAL7042
1008_5137X	Add-on roof for MPT*3*, powder coated in special colour
1008_5237	Add-on roof for 2 MPT*3* side by side, powder coated in RAL7042
1008_5138X	Add-on roof for 2 MPT*3* side by side, powder coated in special colour
1008_5109	Pent roof freestanding for MPT*3*, powder coated in RAL7042 (4 posts)
1008_5011X	Pent roof freestanding for MPT*3*, powder coated in special colour (4 posts)

Options and accessories for MPT turnstile	
Article number	Product description
Foundation frames for 3 x 120° ⁴	
1031_5292	Foundation frame for MPT*3* without roof
1031_5297	Foundation frame for MPT*3* with roof freestanding
1031_5457	Foundation frame for MPT*3* with cage half with blocking bracket without roof
1031_5489	Foundation frame for MPT*3* with cage half with blocking bracket and roof freestanding
Premium roof	
ADACHT3R	Add-on roof powder coated in RAL7042 for MPT*3*
ADACHT3FX	Add-on roof for MPT*3*, powder coated in special colour
ADACH2T3R	Add-on roof for 2 MPT*3* side by side, powder coated in RAL7042
ADACH2T3FX	Add-on roof for 2 MPT*3* side by side, powder coated in special colour
PDACHT3R	Pent roof freestanding for MPT*3*, powder coated in RAL7042 (4 posts)
PDACHT3FX	Pent roof freestanding for MPT*3*, powder coated in special colour (4 posts)
PDACH2T3R	Pent roof freestanding for 2 MPT*3*, powder coated in RAL7042 (6 posts)
PDACH2T3FX	Pent roof freestanding for 2 MPT*3*, powder coated in special colour (6 posts)
PDACH3T3R	Pent roof freestanding for 3 MPT*3*, powder coated in RAL7042 (8 posts)
PDACH3T3FX	Pent roof freestanding for 3 MPT*3*, powder coated in special colour (8 posts)
BSS104	Mounting set for pent roof on foundation frame for 2 posts
BSS105	Mounting set for pent roof on ground for 2 posts
Premium foundation frames for 3 x 120°	
FURAT3D	Foundation frame for MPT*3* without roof
FURAA2T3	Foundation frame for MPT*3* with roof freestanding
FURA2T3D	Foundation frame for 2 x MPT*3* with add-on roof
FURA3T3D	Foundation frame for 2 x MPT*3* with roof freestanding
KHADS100	Foundation frame for 3 x MPT*3* with roof freestanding
ADACHT3FX	Adapter kit for FURAT3/FURAT3D for 2. cage half blocking bracket

⁴ Premium foundation frames for 4 x 90° only on request.

Spare parts

A comprehensive digital list of spare parts for perimeter protection is available. If necessary, please request this via e-mail to cs@ac-magnetic.com

MPT

Full height double turnstile

- > Space-saving double system for two independent passageways
- > Mechanical, electromechanical or motorized designs available
- > Sensitive impact detection for maximum safety
- > Numerous options, e.g. expansion for wheelchair access
- > Designed for 10 million opening and closing cycles



Technical data	MPT 152 3-wing	MPT 152 4-wing	MPT 353 3-wing	MPT 353 4-wing	MPT 350 3-wing	MPT 350 4-wing
Number of wings (angle)	3 (120°)	4 (90°)	3 (120°)	4 (90°)	3 (120°)	4 (90°)
Throughput (number of persons per min.) ¹	Approx. 30	Approx. 30	Approx. 30	Approx. 30	Approx. 30	Approx. 30
Drive technology	MHTM™		Electro-mechanical		Mechanical	
Control system	MBC		MGC		-	
Voltage	100–240 V AC, 50–60 Hz		100–240 V AC, 50–60 Hz		-	
Power consumption	Approx. 50 W		Approx. 50 W		-	
Duty cycle	100 %		100 %		-	
Enclosure rating	IP43 (IP54 optionally available)		IP43 (IP54 optionally available)		IP43 (IP54 optionally available)	
Dimensions (L x W x H)	2210 x 1318 x 2235 mm	2071 x 1382 x 2235 mm	2210 x 1318 x 2235 mm	2071 x 1382 x 2235 mm	2210 x 1318 x 2235 mm	2071 x 1382 x 2235 mm
Weight	Approx. 450 kg	Approx. 450 kg	Approx. 450 kg	Approx. 450 kg	Approx. 450 kg	Approx. 450 kg
Temperature range	-25 to +55 °C		-30 to +55 °C		-30 to +55 °C	

¹ Depending on reader, product configuration, person behaviour

Standard colour

RAL 7042

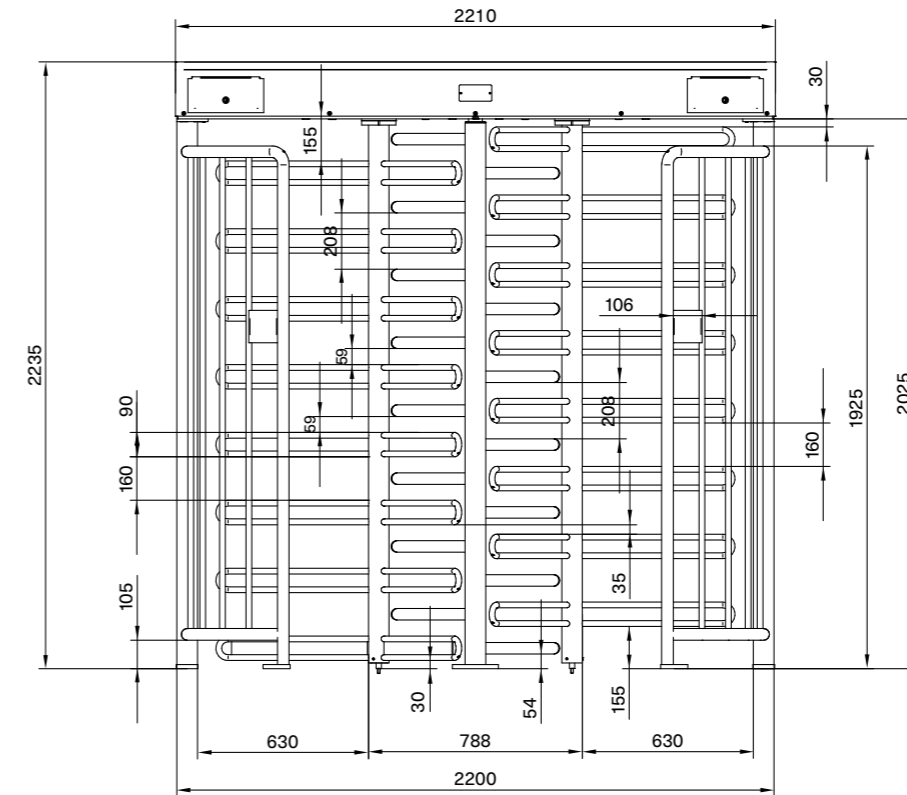
Special colours are also available on request and can be selected from the table of four-digit RAL colours.

Potential applications

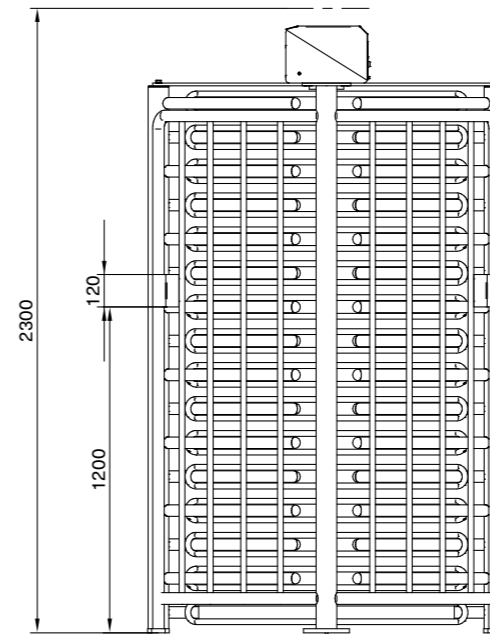


Dimensional drawings

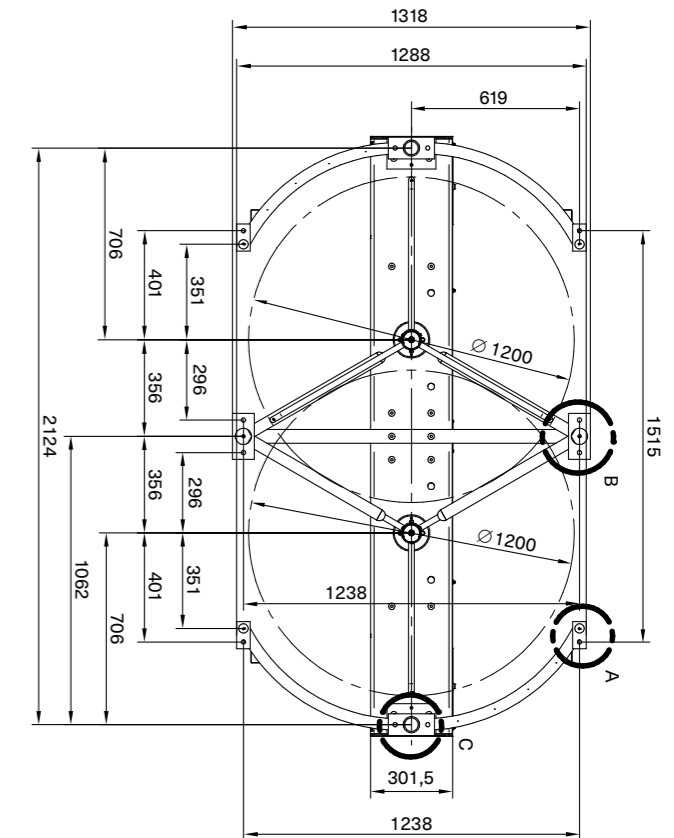
MPT 353 – 3-wing variants (3 x 120°)
Front view from inside



MPT 353 – 3-wing variants (3 x 120°)
Side view



MPT 353 – 3-wing variants (3 x 120°)
View from below



MPT

Full height double turnstile



Products in basic configuration

Article number	Product description
MPT353	Full height double turnstile, electro-mechanical¹
MPT353CA300	Hot dip galvanized + powder coated in RAL7042
MPT353CA300X	Hot dip galvanized + powder coated in RAL special colour
MPT353CA340	Hot dip galvanized + powder coated in RAL7042, centre in stainless steel (V4A/AISI316L; AISI316Ti)
MPT353CA340X	Hot dip galvanized + powder coated in RAL special colour, centre in stainless steel (V4A/AISI316L; AISI316Ti)
MPT353CA320	Stainless steel tube construction (V4A/AISI316L; AISI316Ti)
MPT152	Full height double turnstile, motor driven²
MPT152CA300	Hot dip galvanized + powder coated in RAL7042
MPT152CA300X	Hot dip galvanized + powder coated in RAL special colour
MPT152CA340	Hot dip galvanized + powder coated in RAL7042, centre in stainless steel (V4A/AISI316L; AISI316Ti)
MPT152CA340X	Hot dip galvanized + powder coated in RAL special colour, centre in stainless steel (V4A/AISI316L; AISI316Ti)
MPT152CA320	Stainless steel tube construction (V4A/AISI316L; AISI316Ti)
MPT350	Full height double turnstile, mechanical³
MPT350CZ300	Hot dip galvanized + powder coated in RAL7042
MPT350CZ300X	Hot dip galvanized + powder coated in RAL special colour
MPT350CZ340	Hot dip galvanized + powder coated in RAL7042, centre in stainless steel (V4A/AISI316L; AISI316Ti)
MPT350CZ340X	Hot dip galvanized + powder coated in RAL special colour, centre in stainless steel (V4A/AISI316L; AISI316Ti)
MPT350CZ320	Stainless steel tube construction (V4A/AISI316L; AISI316Ti)

¹ Including control unit MGC and fixing kit, steel frame construction, 3 x 120° arrangement

² Including control units MBC-110, MMC120 and fixing kit, steel frame construction, 3 x 120° arrangement

³ Including fixing kit, steel frame construction, 3 x 120° arrangement

Options and accessories for MPT double turnstile

Article number	Product description
Optional configuration	
4x90T5MP	Additional charge for arrangement 4 x 90° (not for MPT*5*CA/Z320)
PHZT5MP	Additional charge for PHC at service door of support beam MPT*5*

Locking for MPT333/330/353/350

EP100	Conversion charge for entry locked in case of power failure (for each direction 1 kit is required)
EP101	Conversion charge for exit locked in case of power failure (for each direction 1 kit is required)
MAENT101	Lock mechanical release MPT (to be ordered per locking unit and per direction, mandatory for MPTX0)

Locking for MPT132/152

VRM1	One way locking unit in case of power failure, required once per turnstile (for each direction 1 kit is required)
VRM2	Both way locking unit in case of power failure, required once per turnstile (for each direction 1 kit is required)

Passage indicator GED (Gate End Display)

GED106MP	4 pieces passage indicator GED (Gate End Display) for MPT*5*, green arrow, red X, one piece per side integrated in the support beam/cover
----------	---

Mounting pillar for installing of access control units

ASMP	Chrome steel powder coated in RAL7042, with mounting plate
ASMPX	Chrome steel powder coated in RAL special colour, with mounting plate
ASMPPHZ	Chrome steel powder coated in RAL7042, with mounting plate, prepared for key cylinder
ASMPPHZX	Chrome steel powder coated in RAL special colour, with mounting plate, prepared for key cylinder

Cover of reader holder

AMWMPTR	Cover of reader holder in stainless steel powder coated in RAL7042, 1 piece
AMWMPTX	Cover of reader holder in stainless steel in matching turnstile colour, 1 piece
AMWMPT	Cover of reader holder in stainless steel not painted, 1 piece

Push button

DT101	Illuminated push button for release of passage by keystroke (per passage direction)
DT102	Surface-mounted button IP67 for free exit

Options and accessories for MPT double turnstile

Article number	Product description
Lighting	
BE2LED	Lighting LED for MPT *3* with MPG162/MPT*5*, consisting of 4 lamps and support, powder coated in RAL7042, without twilight switch (not for mechanical high turnstiles, only for 230 V/50 Hz)
BE2LEDDS	Lighting LED for MPT *3* with MPG162/MPT*5*, consisting of 4 lamps and support, powder coated in RAL7042, with twilight switch (not for mechanical high turnstiles, only for 230 V/50 Hz)

Roof

1008_5239	Add-on roof for MPT*5*, powder coated in RAL7042
1008_5140X	Add-on roof E for MPT*5*, powder coated in special colour
1008_5110	Pent roof freestanding for MPT*5*, powder coated in RAL7042 (4 posts)
1008_5012X	Pent roof freestanding for MPT*5*, powder coated in special colour (4 posts)

Foundation frames for 3 x 120°⁴

1031_5293	Foundation frame for MPT*5* without roof
1031_5298	Foundation frame for MPT*5* with roof freestanding

Premium roof⁵

ADACHT5R	Add-on roof powder coated in RAL7042 for MPT*5*
ADACHT5FX	Add-on roof for MPT*5*, powder coated in special colour
PDACHT5R	Pent roof freestanding for MPT*5*, powder coated in RAL7042 (4 posts)
PDACHT5FX	Pent roof freestanding for MPT*5*, powder coated in special colour (4 posts)
PDACH2T3R	Pent roof freestanding for 2 MPT*3*, powder coated in RAL7042 (6 posts)
PDACH2T3FX	Pent roof freestanding for 2 MPT*3*, powder coated in special colour (6 posts)
PDACH3T3R	Pent roof freestanding for 3 MPT*3*, powder coated in RAL7042 (8 posts)
PDACH3T3FX	Pent roof freestanding for 3 MPT*3*, powder coated in special colour (8 posts)
BSS104	Mounting set for pent roof on foundation frame for 2 posts
BSS105	Mounting set for pent roof on ground for 2 posts

Premium foundation frames for 3 x 120°^{4 5}

FURAT5	Foundation frame for MPT*5* without roof
FURAT5D	Foundation frame for MPT*5* with roof freestanding

⁴ Premium foundation frames for 4 x 90° only on request.

⁵ Premium foundation frames are only combinable with premium roofs.

Spare parts

A comprehensive digital list of spare parts for perimeter protection is available. If necessary, please request this via e-mail to cs@ac-magnetic.com

MPG

Full height swing door

- > Controlled access for cyclists and wheelchair users
- > Sensitive impact detection for maximum safety
- > Induction loop detector for detection of bicycles and wheelchairs (optional, integrated in the side panel)
- > Low power consumption thanks to maintenance-free MHTM™ drive
- > Designed for 10 million opening and closing cycles



Technical data	MPG 162	MPG 172
Installation	In combination with turnstile system	Free-standing
Drive technology	MHTM™	MHTM™
Control system	MBC	MBC
Voltage	110 – 230 V AC, 50 – 60 Hz	110 – 230 V AC, 50 – 60 Hz
Power consumption	Approx. 25 W	Approx. 25 W
Duty cycle	100 %	100 %
Opening/closing times	Approx. 3 s	Approx. 3 s
Passage width	1087 mm	1070 mm
Enclosure rating	IP43 (IP54 optionally available)	IP43 (IP54 optionally available)
Dimensions (L x W x H)	1451 x 500 (excl. guide bar) x 2235 mm	1623 x 500 (excl. guide bar) x 2235 mm
Weight	Approx. 220 kg	Approx. 250 kg
Temperature range	-25 to +55 °C	-25 to +55 °C

Standard colour

RAL 7042

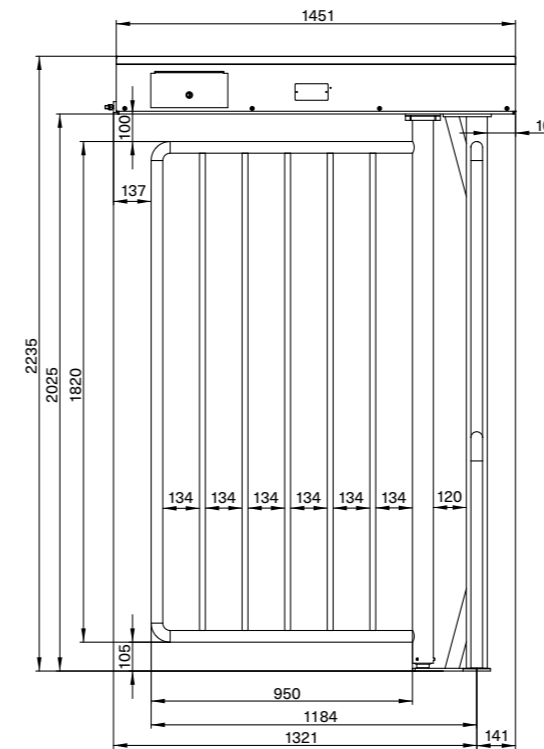
Special colours are also available on request and can be selected from the table of four-digit RAL colours.

Potential applications

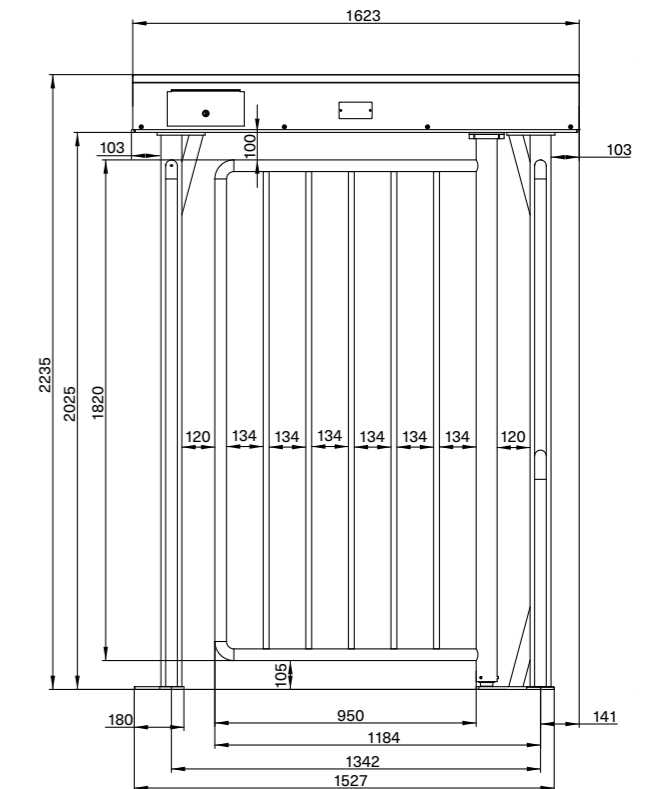


Dimensional drawings

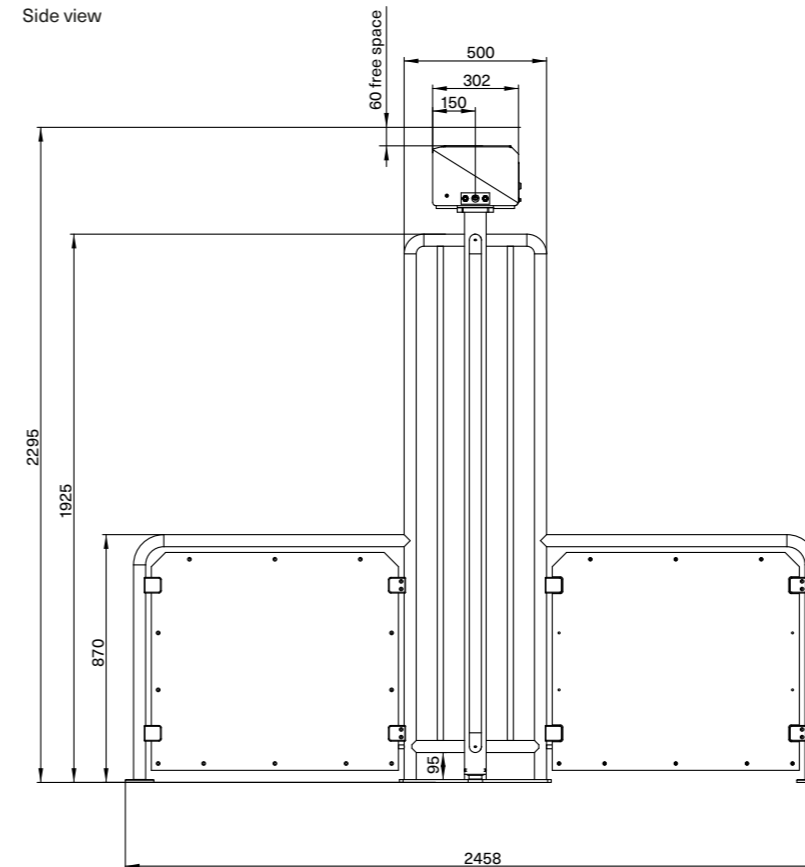
MPG 162
Front view from inside



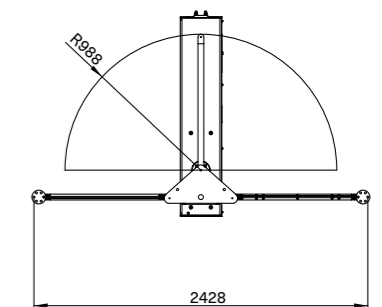
MPG 172
Front view from inside



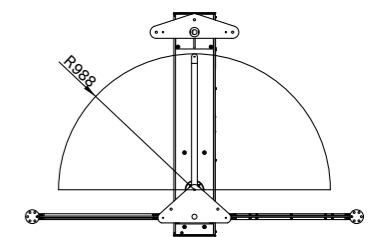
MPG 162 und MPG 172
Side view



MPG 162
View from below



MPG 172
View from below



MPG

Full height swing door



Products in basic configuration

Article number	Product description
MPG 162	High swing gate in combination with turnstile¹
MPG162CA100	Hot dip galvanized+ powder coated in RAL7042
MPG162CA100X	Hot dip galvanized + powder coated in RAL special colour
MPG162CA140	Hot dip galvanized + powder coated in RAL7042, swing gate in stainless steel (V4A/AISI316L; AISI316Ti)
MPG162CA140X	Hot dip galvanized + powder coated in RAL special colour, swing gate in stainless steel (V4A/AISI316L; AISI316Ti)
MPG 172	High swing gate in stand-alone version¹
MPG172CA100	Hot dip galvanized + powder coated in RAL7042
MPG172CA100X	Hot dip galvanized + powder coated in RAL special colour
MPG172CA140	Hot dip galvanized + powder coated in RAL7042, swing gate in stainless steel (V4A/AISI316L; AISI316Ti)
MPG172CA140X	Hot dip galvanized + powder coated in RAL special colour, swing gate in stainless steel (V4A/AISI316L; AISI316Ti)

¹ Including control units MBC-110, MMC120 and fixing kit, steel frame construction

Options and accessories for swing gate MPG 162

Article number	Product description
Optional configuration	
PHZT3GBMP	Additional charge for PHC at service door of support beam MPT*3*/MPG/MPB
Locking device – please indicate with your order	
VRM3	Powerless unlocked
VRM4	Powerless locked
Passage indicator GED (Gate End Display)	
GED105MP	2 pieces passage indicator GED (Gate End Display) for MPT*3*/MPG/MPB, green arrow, red X, one piece per side integrated in the support beam/cover
Lighting	
BE2LED	Lighting LED for MPT *3* with MPG162/MPT*5*, consisting of 4 lamps and support, powder coated in RAL7042, without twilight switch (not for mechanical high turnstiles, only for 230 V/50 Hz)
BE2LEDDS	Lighting LED for MPT *3* with MPG162/MPT*5*, consisting of 4 lamps and support, powder coated in RAL7042, with twilight switch (not for mechanical high turnstiles, only for 230 V/50 Hz)

Roof

1008_5238	Add-on roof type D for MPT*3* with MPG162, powder coated in RAL7042
1008_5139X	Add-on roof type D for MPT*3* with MPG162, powder coated in special colour
1008_5050	Pent roof freestanding for MPT*3* and MPG162, powder coated in RAL7042 (6 posts)
1008_5050X	Pent roof freestanding for MPT*3* and MPG162, powder coated in special colour (6 posts)

Foundation frames

1031_5376	Extension foundation frame kit for MPG162
1031_5378	Extension foundation frame kit for MPG162 with roof freestanding

Premium roof

ADACHT3G16R	Add-on roof for MPT*3* with MPG162, powder coated in RAL7042
ADACHT3G16FX	Add-on roof for MPT*3* with MPG162, powder coated in special colour
PDACHT3G16R	Pent roof freestanding for MPT*3* and MPG162, powder coated in RAL7042 (6 posts)
PDACHT3G16FX	Pent roof freestanding for MPT*3* and MPG162, powder coated in special colour (6 posts)
BSS104	Mounting set for pent roof on foundation frame for 2 posts
BSS105	Mounting set for pent roof on ground for 2 posts

Premium foundation frames

FURAT3G160	Foundation frame for MPT*3* with MPG162 without roof
FURAADT3G160	Foundation frame for MPT*3* with MPG162 with add-on roof
FURAT3G160D	Foundation frame for MPT*3* with MPG162 with roof freestanding

Options and accessories for swing gate MPG 172

Article number	Product description
Optional configuration	
PHZT3GBMP	Additional charge for PHC at service door of support beam MPT*3*/MPG/MPB
Locking device – please indicate with your order	
VRM3	Powerless unlocked
VRM4	Powerless locked
Passage indicator GED (Gate End Display)	
GED105MP	2 pieces passage indicator GED (Gate End Display) for MPT*3*/MPG/MPB, green arrow, red X, one piece per side integrated in the support beam/cover
Lighting	
BELED	Lighting LED for MPT*3*/MPG/MPB, consisting of 2 lamps and support, powder coated in RAL7042, without twilight switch (not for mechanical high turnstiles, only for 230 V/50 Hz)
BELEDDS	Lighting LED for MPT*3*/MPG/MPB, consisting of 2 lamps and support, powder coated in RAL7042, with twilight switch (not for mechanical high turnstiles, only for 230 V/50 Hz)

Roof

1008_5053	Pent roof freestanding for MPG172, powder coated in RAL7042 (4 posts)
1008_5053X	Pent roof freestanding for MPG172, powder coated in special colour (4 posts)

Foundation frames

1031_5373	Foundation frame for MPG172 without roof
1031_5381	Foundation frame for MPG172 with roof freestanding

Premium roof

ADACHG17R	Add-on roof for MPT172, powder coated in RAL7042
ADACHG17FX	Add-on roof for MPT172, powder coated in special colour
PDACHG17R	Pent roof freestanding for MPG172, powder coated in RAL7042 (4 posts)
PDACHG17FX	Pent roof freestanding for MPG172, powder coated in special colour (4 posts)
BSS104	Mounting set for pent roof on foundation frame for 2 posts
BSS105	Mounting set for pent roof on ground for 2 posts

Premium foundation frames

FURAG170	Foundation frame for MPG172 without roof
FURAG170D	Foundation frame for MPG172 with roof freestanding

Spare parts

A comprehensive digital list of spare parts for perimeter protection is available. If necessary, please request this via e-mail to cs@ac-magnetic.com

MPB

Turnstile with bicycle gate

- > Simultaneous access for bike and rider
- > Sensitive contact detection for maximum safety
- > Maximum comfort through adaptive rotary speed
- > Bicycle detection via induction loop (needs to be installed in the ground)
- > Low power consumption due to maintenance-free MHTM™ drive (optionally available for the turnstile)
- > Designed for 10 million opening and closing cycles



Technical data	MPB 31 1
Technology: turnstile/hinged gate	Electro-mechanical/motor-driven
Throughput (number of persons per min.) ¹	Approx. 10
Control system	MGC/MBC
Voltage	110 – 230 V AC, 50 – 60 Hz
Power consumption	Approx. 85 W
Duty cycle	100 %
Enclosure rating	IP43 (IP54 optionally available)
Dimensions (L x W x H)	2500 x 2458 x 2235 mm
Weight	Approx. 550 kg
Temperature range	-25 to +55 °C
¹ Depending on reader, product configuration, person behaviour	

Standard colour



RAL 7042

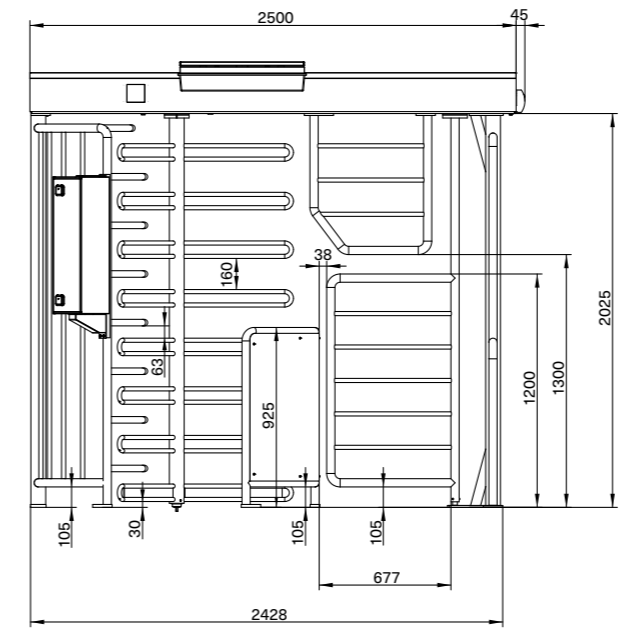
Special colours are also available on request and can be selected from the table of four-digit RAL colours.

Potential applications

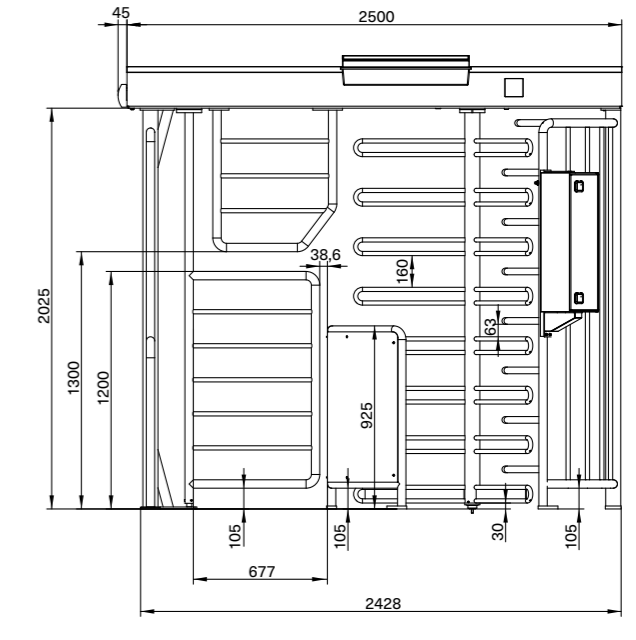


Dimensional drawings

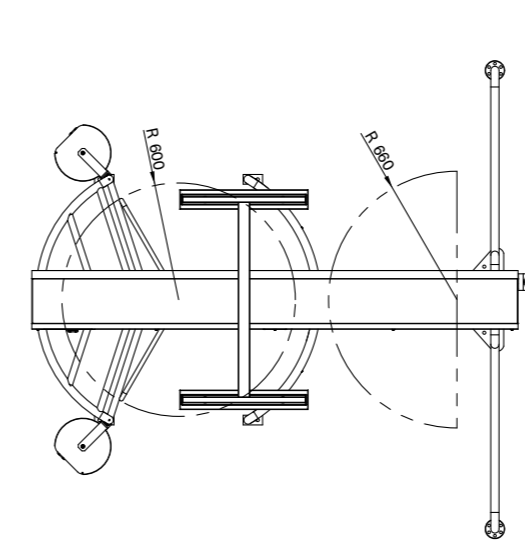
Front view from outside
Variant: Full height turnstile, right side version



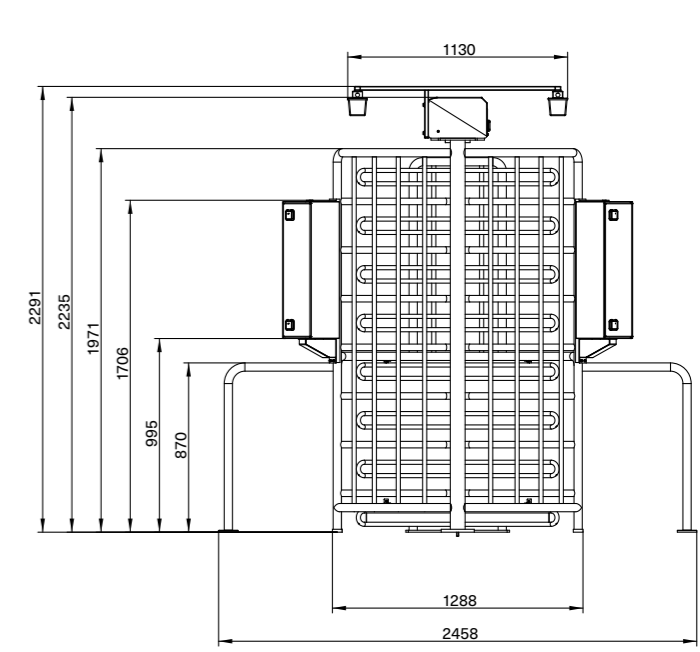
Front view from outside
Variant: Full height turnstile, left side version



View from above



Side view



Perimeter protection

MPB

Full height turnstile with bicycle gate



Products in basic configuration

Article number	Product description
MPB 311	High turnstile with bicycle passage electro-mechanical, bicycle door motor driven
	Entrance side left
MPB311AA101	All parts powder coated in RAL7042, guide element in stainless steel (V4A/AISI316L; AISI316Ti), prepared for on-site induction loops
MPB311AA101X	All parts powder coated in special colour, guide element in stainless steel (V4A/AISI316L; AISI316Ti), prepared for on-site induction loops
MPB311AA141	Centre pillar, bicycle door and guide element in stainless steel (V4A), all other parts powder coated in RAL7042, prepared for on-site induction loops
MPB311AA141X	Centre pillar, bicycle door and guide element in stainless steel (V4A), all other parts powder coated in special colour, prepared for on-site induction loops
	Entrance side right
MPB311BA101	All parts powder coated in RAL7042, guide element in stainless steel (V4A/AISI316L; AISI316Ti), prepared for on-site induction loops
MPB311BA101X	All parts powder coated in special colour, guide element in stainless steel (V4A/AISI316L; AISI316Ti), prepared for on-site induction loops
MPB311BA141	Centre pillar, bicycle door and guide element in stainless steel (V4A/AISI316L; AISI316Ti), all other parts powder coated in RAL7042, prepared for on-site induction loops
MPB311BA141X	Centre pillar, bicycle door and guide element in stainless steel (V4A/AISI316L; AISI316Ti), all other parts powder coated in special colour, prepared for on-site induction loops

Options and accessories for high turnstile MPB

Article number	Product description
Services and accessories	
PHZT3GBMP	Additional charge for PHC at service door of support beam MPT*3*/MPG/MPB
VBSET	Connection kit A-module + B-module for a common power supply
MPBBSOF	Mounting set for concrete foundation (1 MPB)
MPBBS	Mounting set for foundation frame (1 MPB)

Locking for MPB311

EP100	Conversion charge for entry locked in case of power failure (for each direction 1 kit is required)
EP101	Conversion charge for exit locked (for each direction 1 kit is required)
MAENT101	Lock mechanical release MPT (to be ordered per locking unit and per direction, mandatory for MPTX0)

Passage indicator GED (Gate End Display)

GED105MP	2 pieces passage indicator GED (Gate End Display) for MPT*3*/MPG/MPB, green arrow, red X, one piece per side integrated in the support beam/cover
----------	---

Mounting pillar for installing of access control units

ASMP	Chrome steel powder coated in RAL7042, with mounting plate
ASMPX	Chrome steel powder coated in RAL special colour, with mounting plate
ASMPPHZ	Chrome steel powder coated in RAL7042, with mounting plate, prepared for key cylinder
ASMPPHZX	Chrome steel powder coated in RAL special colour, with mounting plate, prepared for key cylinder

Mounting kit mounting bracket

AMWMPB	Mounting kit bracket for cage half MPB in stainless steel not painted, 1 piece
AMWMPBR	Mounting kit bracket for cage half MPB in stainless steel powder coated in RAL7042, 1 piece
AMWMPBX	Mounting kit bracket for cage half MPB in stainless steel in matching turnstile colour, 1 piece

Options and accessories for high turnstile MPB

Article number	Product description
Lighting	
BELED	Lighting LED for MPT*3*/MPG/MPB, consisting of 2 lamps and support, powder coated in RAL7042, without twilight switch (not for mechanical high turnstiles, only for 230 V/50 Hz)
BELEDDS	Lighting LED for MPT*3*/MPG/MPB, consisting of 2 lamps and support, powder coated in RAL7042, with twilight switch (not for mechanical high turnstiles, only for 230 V/50 Hz)

Premium roof

ADACHBAR	Add-on roof in RAL7042 for MPB (left)
ADACHBAFX	Add-on roof in special colour for MPB (left)
ADACHBBR	Add-on roof in RAL7042 for MPB (right)
ADACHBBFX	Add-on roof in special colour for MPB (right)
PDACHBR	Pent roof freestanding for MPB, powder coated in RAL7042 (4 posts)
PDACHBFX	Pent roof freestanding for MPB, powder coated in special colour (4 posts)
PDACH2BR	Pent roof freestanding for 2 MPB, powder coated in RAL7042 (6 posts)
PDACH2BFX	Pent roof freestanding for 2 MPB, powder coated in special colour (6 posts)
BSS104	Mounting set for pent roof on foundation frame for 2 posts
BSS105	Mounting set for pent roof on ground for 2 posts

Premium foundation frames

FURAB	Foundation frame for MPB without roof
FURABD	Foundation frame for MPB with roof freestanding
FURA2B	Foundation frame for 2 MPB without roof
FURA2BD	Foundation frame for 2 MPB (A+B) with roof freestanding
MPBBS	Mounting set for foundation frame (1 MPB)

Spare parts

A comprehensive digital list of spare parts for perimeter protection is available. If necessary, please request this via e-mail to cs@ac-magnetic.com

Segment solutions

For customised applications



Segment-specific products and individual developments

High security at airports, quick processing for public transport, permanent operational readiness at toll stations and high-quality design for companies – every segment has its own special requirements for access control. We understand the challenges and offer our customers tailor-made solutions:

- > An important part of our range are segment-specific products that have been developed to precisely meet the requirements of the individual markets. This includes special barriers for parking and toll applications and pedestrian gates in the FlowMotion® model series that are designed for use in companies and public buildings.
- > In many cases – above all for airports and public transport – a customised development is the quickest way to appropriately take account of the special characteristics of the specific application, country-specific regulations and wishes of the customer. In our development department at our headquarters in Schopfheim, experts in each segment create tailor-made solutions to fulfil all of the requirements with respect to function, design and conformity.
- > All of our barriers and pedestrian gates have one thing in common: our long-standing experience in the area of drive and control technology. As a result, we can guarantee our customers highly responsive sensor technology, energy-efficient operation and an especially long service life.

Further information on our segment solutions and our product development services is available on our website www.magnetic-access.com and from our Customer Service Department on cs@ac-magnetic.com.



Make passengers happy!
And streamline your airport processes along the way.



Airports

Boarding gates, immigration gates, turnstiles and vehicle barriers increase the level of security, speed up processes and reduce costs – at all stages of the process for passengers from arriving at the airport and checking in through to boarding.

More information on our airport solutions can be found on our dedicated page for this segment



www.magnetic-access.com/airports



Toll

The Toll barriers offer particularly quick opening and closing speeds, easy accessibility and numerous boom breakaway options for the fast and cost-effective processing of vehicles.

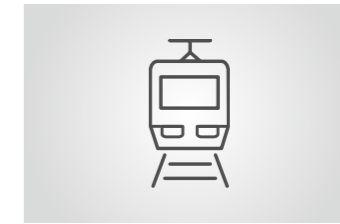
To the Toll barriers > [page 36](#)
To the Access barriers > [page 4](#)



Trade and industry

Our pedestrian gates in the FlowMotion® model series increase the security level and also transform entrance areas into brand worlds at the same time. Our vehicle barriers and turnstiles ensure clear guidance of the traffic and reliable security in outdoor areas.

To the FlowMotion® pedestrian gates > [page 64](#)
To the Access barriers > [page 4](#)



Public transport

Pedestrian barriers with clear guidance of the user, especially quick opening times and adaptable security levels enable reliable and quick automated checking of tickets even at peak times.

More information on our airport solutions can be found on our dedicated page for this segment:



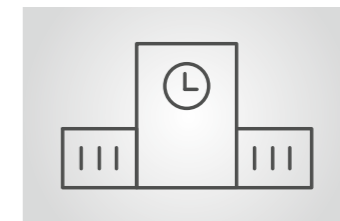
www.magnetic-access.com/transport



Parking

Thanks to their particularly quick opening times, comprehensive sensor technology and low power consumption, the Parking Pro barrier ensures particularly economical operation and enables vehicles to enter and exit quickly.

To the Parking-Pro barriers > [page 32](#)
To the Access barriers > [page 4](#)



Public buildings

Our pedestrian gates in the FlowMotion® model series easily control employees and visitors in passing, while our turnstiles and vehicle barriers efficiently control pedestrian and vehicle traffic.

To the FlowMotion® pedestrian gates > [page 64](#)
To the Access barriers > [page 4](#)
To the Full height turnstiles > [page 100](#)

Our vision



“ We open worlds – offering highly integrated solutions as the basis for safe and reliable access management for vehicles and persons. ”

Continuous development

600

employees worldwide

32

subsidiaries worldwide

>500,000

barriers installed worldwide, of which more than 200,000 are from the current MHTM™ MicroDrive generation

8%

annual growth during the past 20 years

67,200

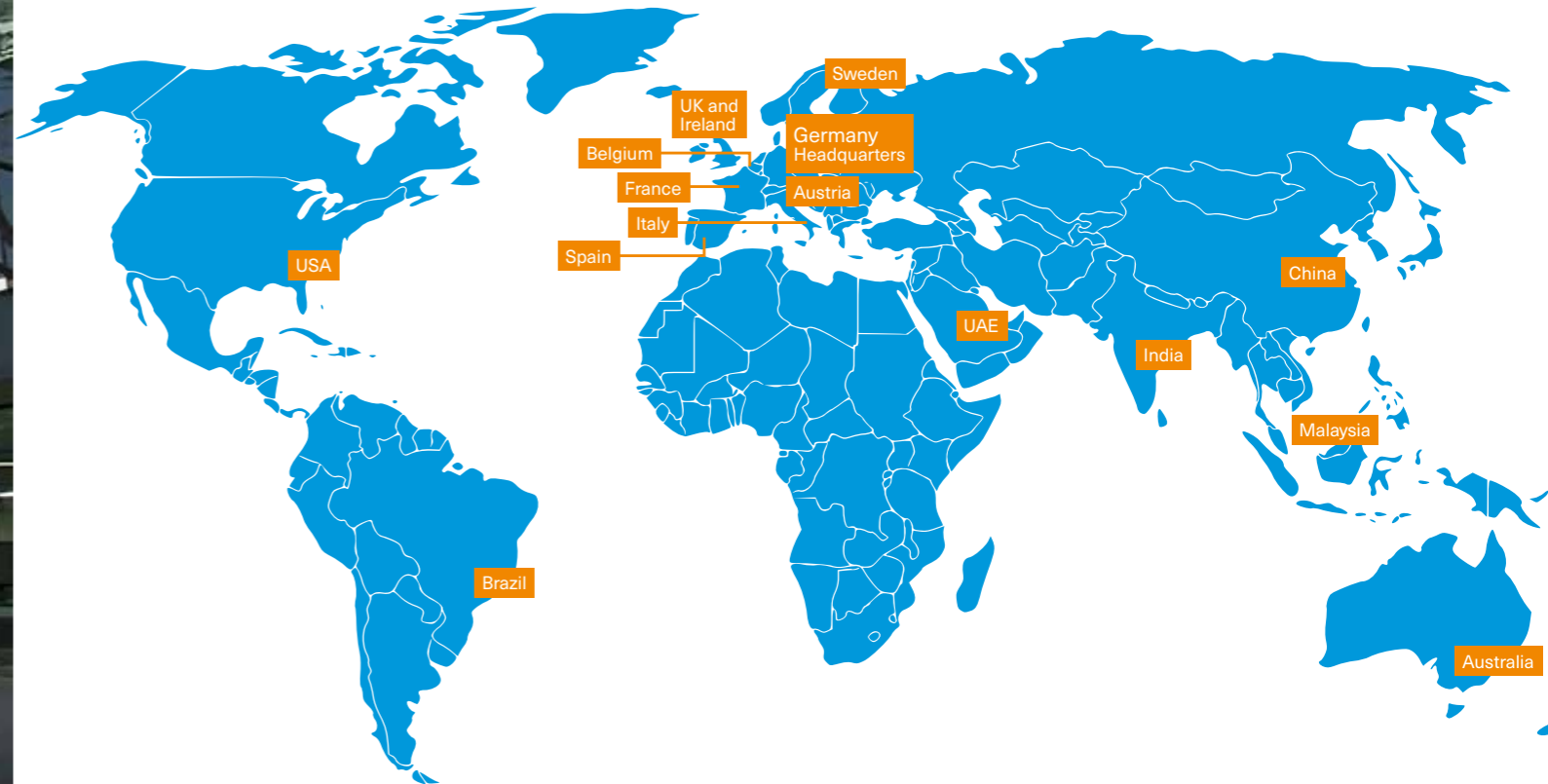
pedestrian gates worldwide

MAGNETIC AUTOCONTROL GMBH
www.magnetic-access.com

Always close to you

Our home is in the Black Forest, but we are at home all over the world. We are represented worldwide with a vast network of sales subsidiaries and sales partners. As a result, we are

not only experts on the special aspects of numerous regional markets, but are also always available to our customers personally.



A strong alliance

As the Access Control Division, we have been part of the internationally active FAAC Group since 2012. This also benefits our customers: with an extensive sales network and a considerably

wider product range offered from a single source. This includes sliding doors and gate drives, as well as high security bollards and parking management systems.



Access Automation

FAAC develops and produces automation solutions for vehicle and pedestrian access, as well as sunshade and sunblind systems for residential buildings, hotels and business premises.



Access Control

Magnetic Autocontrol stands for trail-blazing vehicle barriers and pedestrian gates for parking, public transport, airports, toll stations, buildings, business and industry.



Parking

HUB Parking Technology develops smart and flexible parking management solutions for car parks and parking spaces in residential areas, in business, at airports and trade fairs, as well as at hotels and hospitals.

Our mission

How we achieve our objectives.



“We remain the benchmark in innovation, quality and reliability – designing outstanding solutions that add value to our customers' business.”

We do not produce single vehicle or pedestrian barriers. We develop technologies that set standards regarding function, efficiency and reliability, shaping a growing market with trail-blazing product innovations.

We take our customers the decisive step farther – which is why our motto is 'Access to Progress'. In order to achieve this, we continuously develop our competences in the following core areas:

Unique innovative power



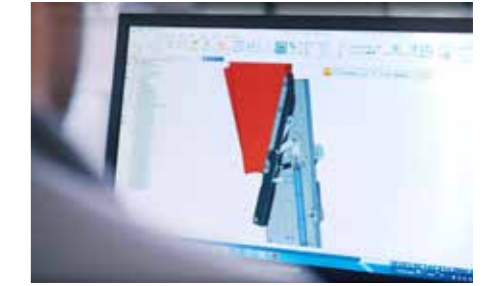
We break new ground: we drive the sector's development forward with more than 20 patents, registered patterns, industrial patterns and design patterns – for example with the MHTM™ drive unit and with the FlowMotion® housing material mDure®.

Extremely powerful drive and control technology



All our products are based on the same technology: this reduces system variation for our service partners, and our customers can always rely on perfected technology that has been tested hundreds of thousands of times.

Outstanding product development



Our development is customised: we develop the hardware and software for new products and for precise customer-specific solutions in our research department.

Detailed segment knowledge



We know what we are doing: with our sector specialists and many years of collaboration with our customers we know exactly what individual sectors require from their access control systems.

Award-winning design



We value colour and styling: ultimately, visitors and employees interact with our products every day. Our success in this is also confirmed by independent observers.

Complete documentation



We leave no question unanswered: our products are not only accompanied by informative brochures and data sheets, but also by all necessary planning documentation.

Consistent further education and training



We believe that our products are only as good as the people that you deal with as consultants, technicians or sales partners. Regular training at our Magnetic Academy is therefore mandatory.

Conformity with legal requirements worldwide



We value the safety of users: so our vehicle barriers and pedestrian barriers meet legal regulations and technical guidelines worldwide.

Contacts

Always reachable personally and digitally



www.magnetic-access.com



www.magnetic-access.com/en/downloads.html



www.spareparts.faacgroup.com > Magnetic Autocontrol GmbH



www.bimobject.com/magnetic-autocontrol



www.linkedin.com/company/magnetic-access



www.youtube.com > Magnetic Autocontrol GmbH

The right answer for every question

Our vehicle barriers and pedestrian gates are of interest to a very wide range of user groups. So we maintain numerous channels where our customers can obtain any information they want rapidly and reliably. The first point of contact is naturally our website, which consolidates all the information on our products and our company.

In the download centre you will find our interactive spare parts catalog as well as planning documents, certificates, etc.

For full access, please contact cs@ac-magnetic.de

Architects and planners can directly integrate our products into their digital tools via BIMobject®, while those who want to keep up to speed about our company, trade fair appearances and films can do this most simply via LinkedIn and YouTube.

MAGNETIC AUTOCONTROL GMBH
www.magnetic-access.com

MAGNETIC AUTOCONTROL GMBH
Grienmatt 20, D-79650 Schopfheim
Telefon: +49 7622 695-5
Telefax: +49 7622 695-800
E-Mail: info@ac-magnetic.com

Access BIMobject®

Plan with barriers and pedestrian gates from Magnetic!



Those who plan, build or manage buildings and facilities can profit enormously from precise digitally modelled data. This not only allows a structure to be realistically visualised, but also more efficiently planned and operated.

BIM objects for the buildings of the future

This is why increasing numbers of architects, engineers and project developers use Building Information Modelling, or BIM for short. The planning, construction and management of buildings and facilities can be optimised with the help of software using this structural data modelling. Whereby all relevant structural data (3D data, specifications and tender documents) are digitally modelled, combined and logged so that the building can also be represented three-dimensionally. Architects, developers and works planners can collaborate in a goal-oriented and efficient manner because everyone involved in a project uses the same planning documentation.

Integrate BIM objects from Magnetic free-of-charge

Magnetic provides you with numerous products in the form of BIM objects. You will find Magnetic's Access barriers and the pedestrian gates of the FlowMotion® series – in the 10 most common planning formats, with 3D visualisations and product specifications in seven languages – on bimobject.com, the world's leading BIM content platform. Updated data are always available for you to download free-of-charge.

You too can profit from Magnetic and bimobject.com

- > Visual integration of barriers and pedestrian gates from Magnetic into the architectural and perimeter design
- > Simple preparation of tenders and specifications
- > Simple preparation of planning documentation, and optimised implementation planning
- > Greater security for buildings during each construction and operation phase



BIM objects considerably simplify working with buildings – during planning, tendering and implementation, as well as during service provision and facility management.

